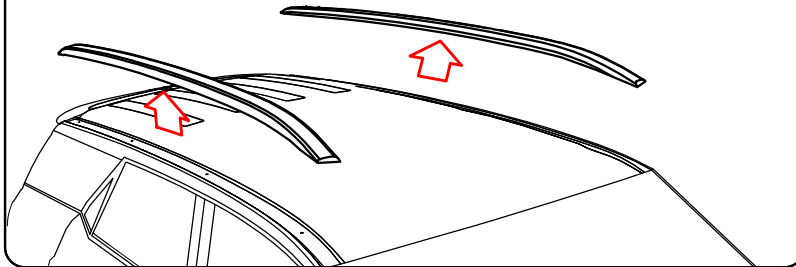
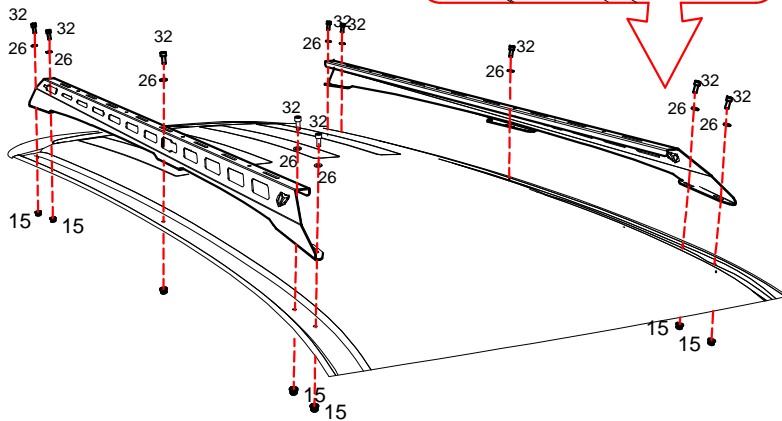


Uninstall original rails.

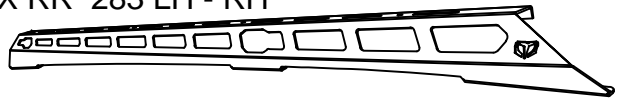


Fit side under rails with Alen cap M8 in original holes and tighten.

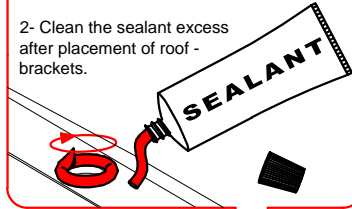
- 32 M8 X 25 Alen Cap X10
- 26 M8 Washer X10
- 15 M8 Nylock Flange nut X10



TMX RR 283 LH - RH



- 1- Use SEALANT around all roof holes before place brackets to protect and seal.
- 2- Clean the sealant excess after placement of roof - brackets.



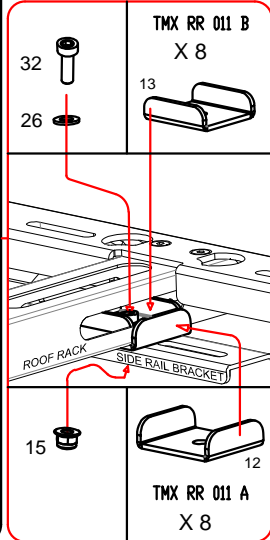
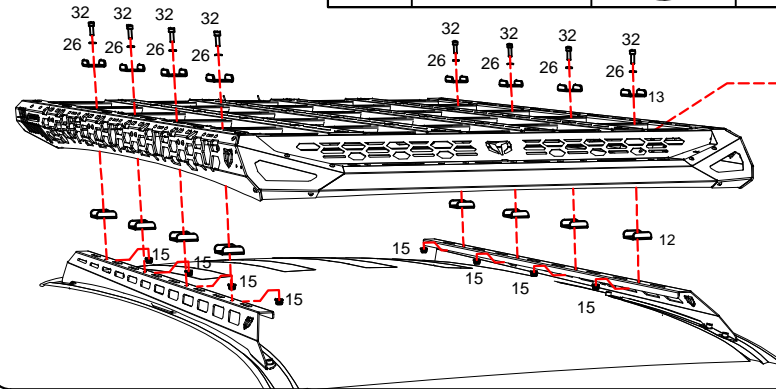
TOYOTA FORTUNER 103198



TMX RR 283 BRACKET BOLT KIT

Item N°	Part	Description	Qty
15	M8 1,25 flange nylock nut		18
32	M8 1.25 X 25 ALEN CAP		18
26	M8 washer		18

- 32 M8 X 25 Alen Cap X8
- 26 M8 Washer X8
- 15 M8 Nylock Flange nut X8



Tighten all M8 Allen cap bolts and M8 nuts using 6mm Allen key and 13mm Wrench.



DONE!

