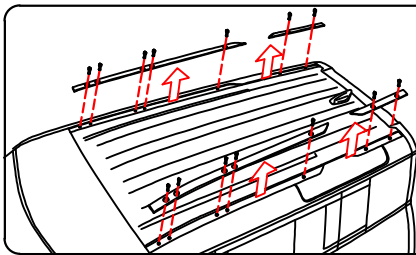


Remove this original bolt cover using screwdriver, Handle with care.

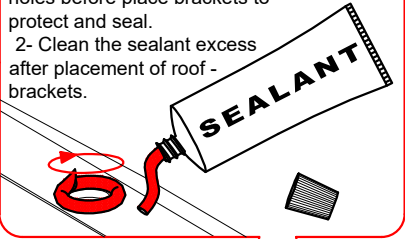


-Remove original bolts.
-Remove Rubber molder, handle with care.

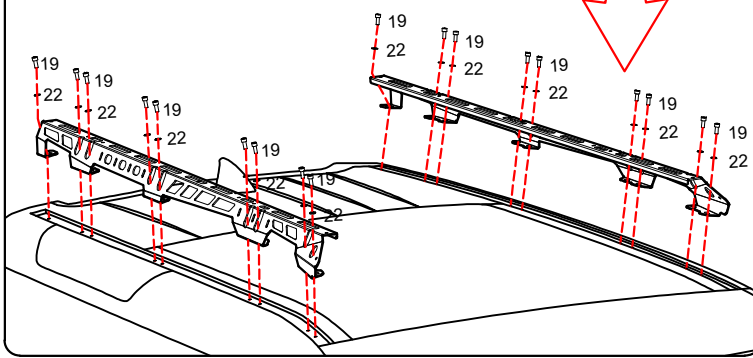
Once the molding is removed, store for future use

Fit side under rails with Allen cap M8 in original holes and tighten.

1- Use SEALANT around all roof holes before place brackets to protect and seal.
2- Clean the sealant excess after placement of roof-brackets.



- 19 M8 X 25 Allen cap. X18
- 22 M8 Washer X18

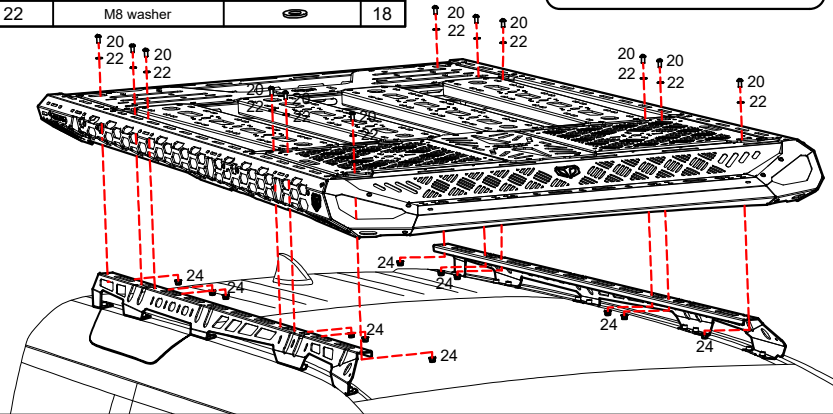


LR DEFENDER 103809



TMX RR 103808 BRACKET BOLT KIT			
Item N°	Part	Description	Qty
24	M8 1,25 flange nylock nut		18
20	M8 1,25 X 20 Allen cap		18
22	M8 washer		18

- 20 M8 X 25 Allen Cap X 12
- 22 M8 Washer X 12
- 24 M8 Nylock Flange nut X 12



Tighten all M8 Allen cap bolts and M8 nuts using 6mm Allen key and 13mm Wrench.



DONE!

