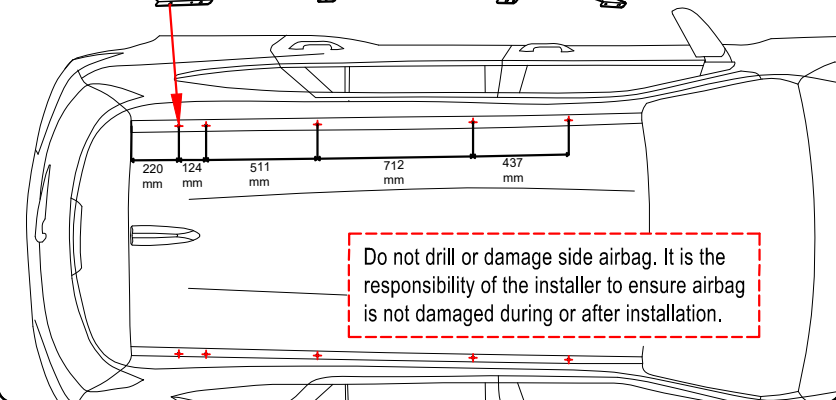


Place side rail rear hole on 220mm rear mark and use as a template to check the other holes. Drill through the surface with a 9.5mm drill bit. To discover the original nuts insert. Inspect that the hole is centered in the thread while drilling.



Do not drill or damage side airbag. It is the responsibility of the installer to ensure airbag is not damaged during or after installation.

ISUZU MUX/MAZDA CX70
103283

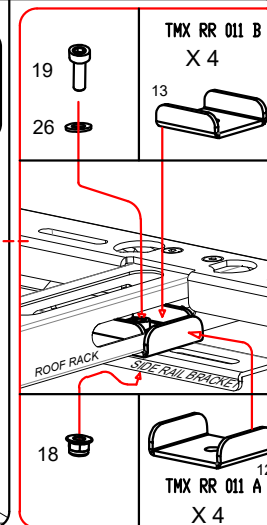
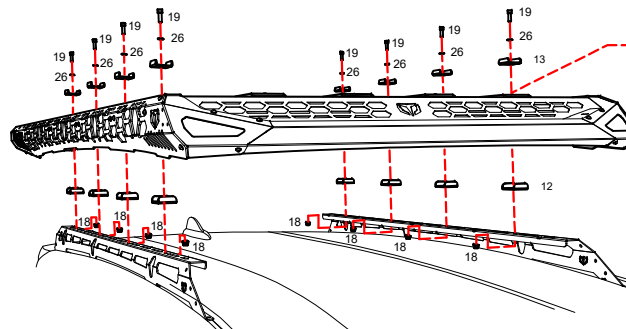


TRAIL MAX
ROOF RACK

TMX RR 103282 BRACKET BOLT KIT

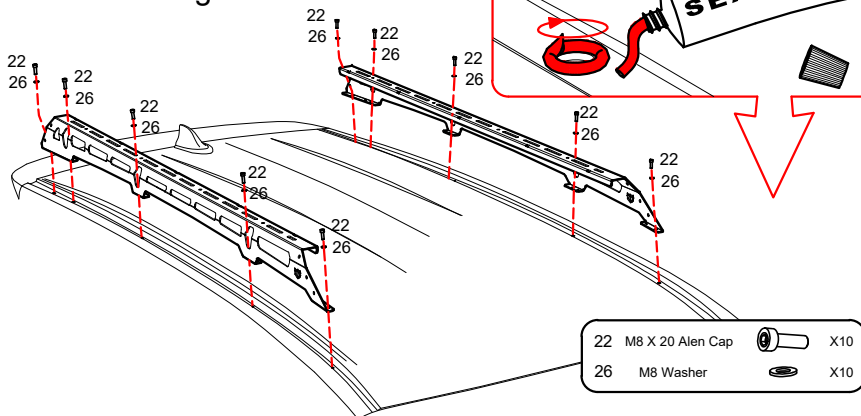
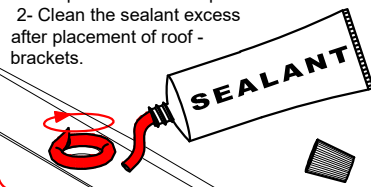
Item N°	Part	Description	Qty
18	M8 1.25 flange nylock nut		8
19	M8 1.25 X 25 Allen cap		8
26	M8 washer		18
22	M8 1.25 x 20 Allen cap		10

19	M8 X 25 Allen Cap		X8
26	M8 Washer		X8
18	M8 Nylock Flange nut		X8



Fit side under rails with Allen cap M8 in original holes and tighten.

1- Use SEALANT around all roof holes before place brackets to protect and seal.
2- Clean the sealant excess after placement of roof - brackets.



22	M8 X 20 Allen Cap		X10
26	M8 Washer		X10

Tighten all M8 Allen cap bolts and M8 nuts using 6mm Allen key and 13mm Wrench.



DONE!

