

# CAN BUS Module



## DIP SWITCHES SELECTION

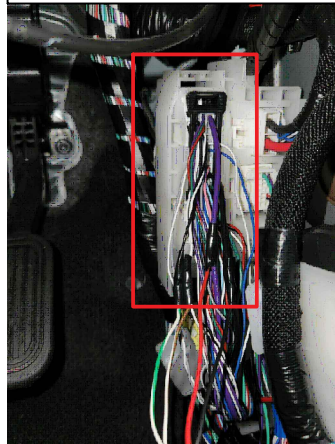
The dial can be found on the end of the module.

When making the selection on the dial ensure the module is orientated with the letters on the bottom.

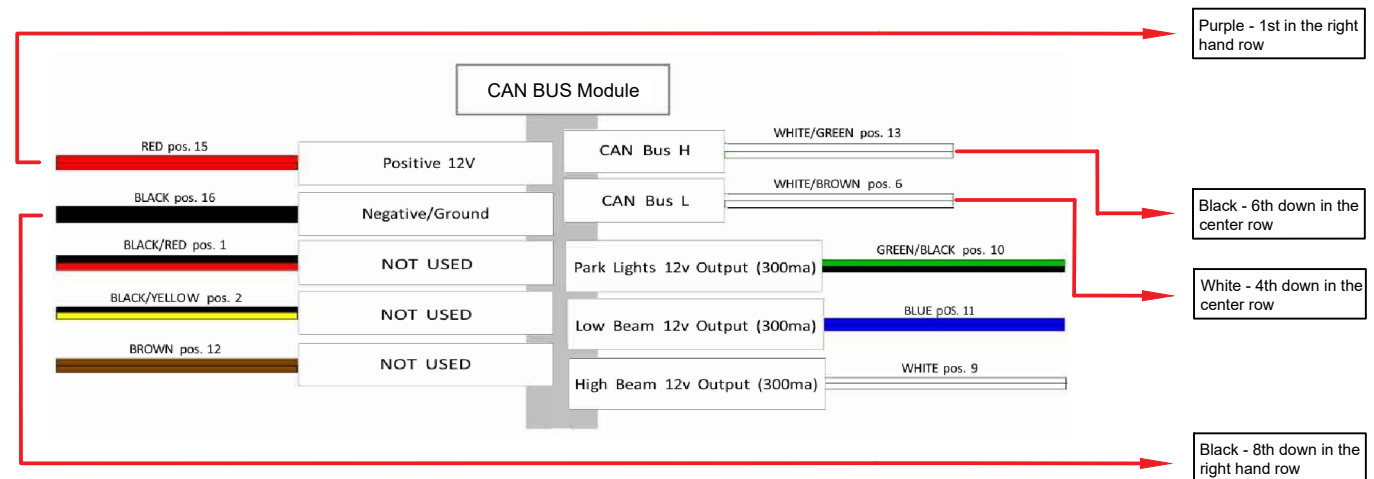


## Toyota Prado 2018 - Current

Find the plug outlined by the red square below, this plug is located in the drivers side foot well. This will require the removal of lower trim.



## ELECTRICAL CONNECTIONS BETWEEN CAN-BUS MODULE AND VEHICLE



## Description of Wire Connections and Plug Locations

Function	Module Wire	Position and Connection on Vehicle	
Power Supply	Red	Purple	All wires are located on a single plug, this plug can be found in the passenger side foot well.
	Black	Black	
Enabling Can Bus	White/Green - CAN BUS Hi	Black	Referring to the electrical connections section, the image outlines the appearance of the plug for locating its position, and on the right on the CAN BUS module diagram the pin positions for each required wire is defined.
	White/Brown - CAN BUS Lo	White	

## Technical Features

Power Supply	8V ÷ 16V
Standby Consumption	< 4,5 mA
Max current of Outputs Negative	25 mA
Max current of Outputs Negative, Positive	300 mA
Dimensions	70 x 30 x 20
Operating Temperature	-40°C / +85°