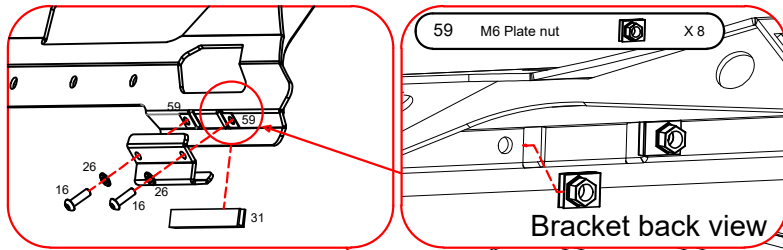
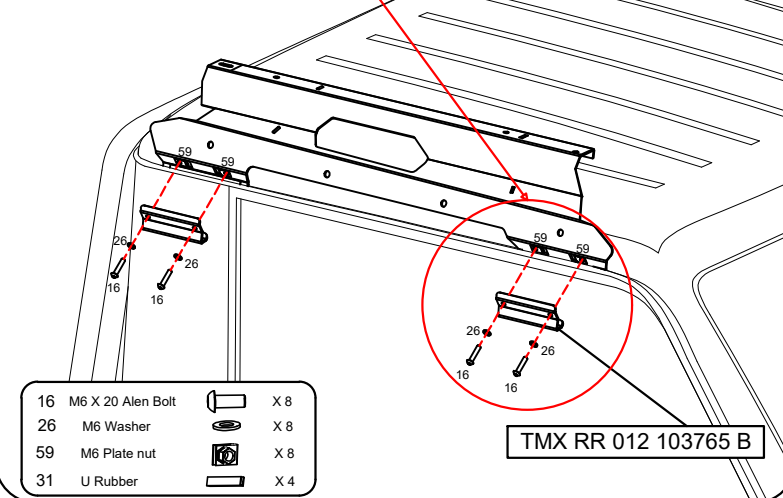


NOTE: Fit U rubber before place bracket on the roof.



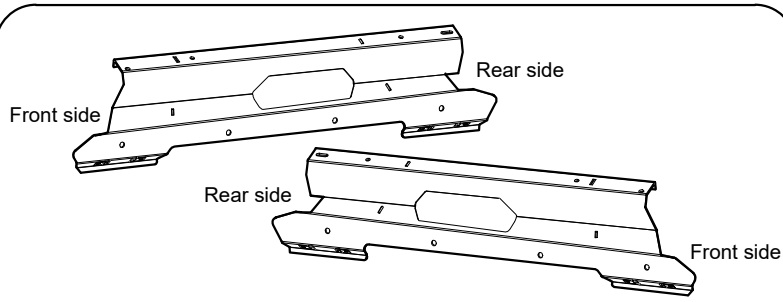
Bracket back view

Bracket Fitment



- 16 M6 X 20 Alen Bolt X 8
- 26 M6 Washer X 8
- 59 M6 Plate nut X 8
- 31 U Rubber X 4

TMX RR 012 103765 B



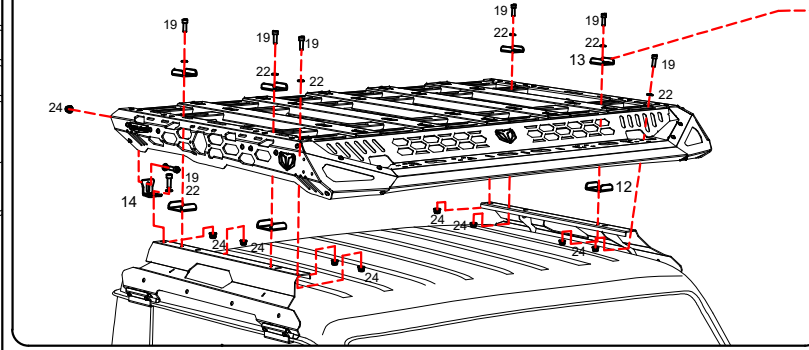
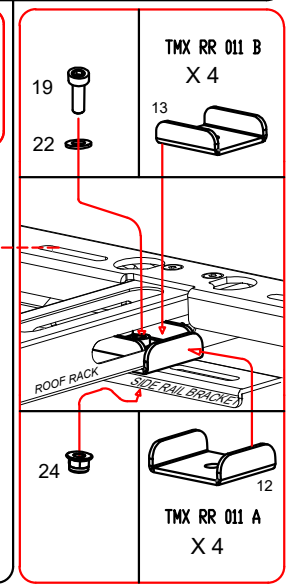
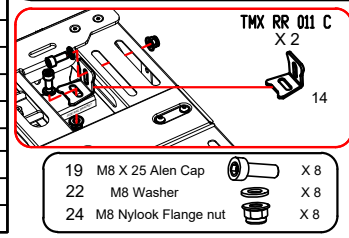
TMX RR 012 103765 LH-RH

TOYOTA LC 70S SC 103766



TMX RR 103765 BRACKET BOLT KIT

Item N°	Part	Description	Qty
19	M8 x 25 Alen cap		8
22	M8 washer		8
24	M8 1.25 flange nylock nut		8
16	M6 X 20 Alen bolt		8
30	M6 washer		8
28	M6 Plate nut		8
31	U Rubber		4



Tighten all M8 Allen cap bolts and M8 nuts using 6mm Allen key and 13mm Wrench.


DONE!

