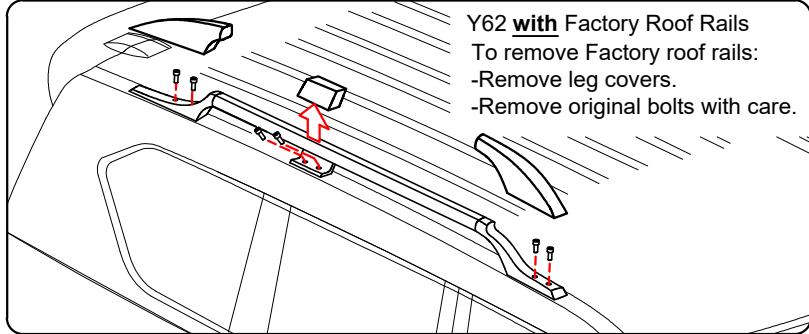


Y62 without Factory Roof Rails
Remove all six original fixing point plastic cover, handle with care.



Y62 with Factory Roof Rails
To remove Factory roof rails:
-Remove leg covers.
-Remove original bolts with care.

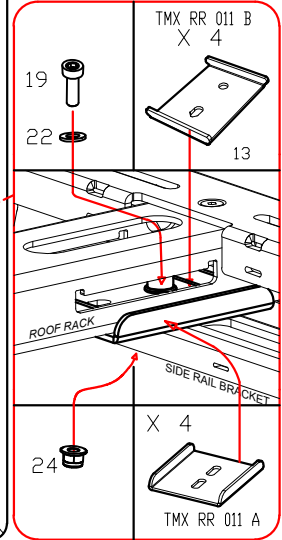
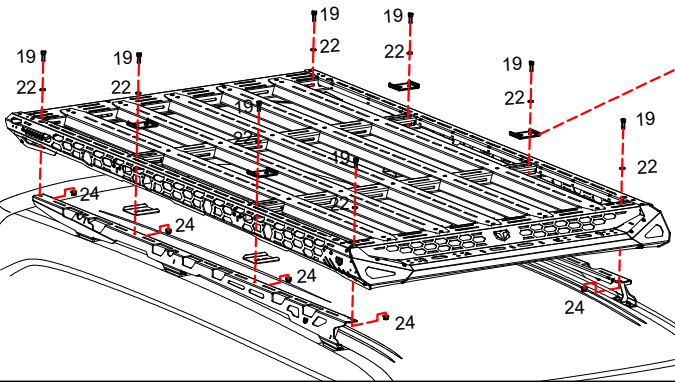
NISSAN Y62 104070



TMX RR 104027 BRACKET BOLT KIT

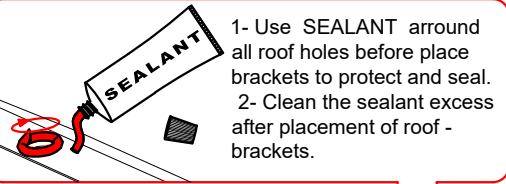
Item N°	Part	Description	Qty
24	M8 1,25 flange nylock nut		8
19	M8 1.25 X 25 Allen cap.		20
22	M8 washer		20

- 19 M8 X 25 Allen Cap X 8
- 22 M8 Washer X 8
- 24 M8 Nylock Flange nut X 8

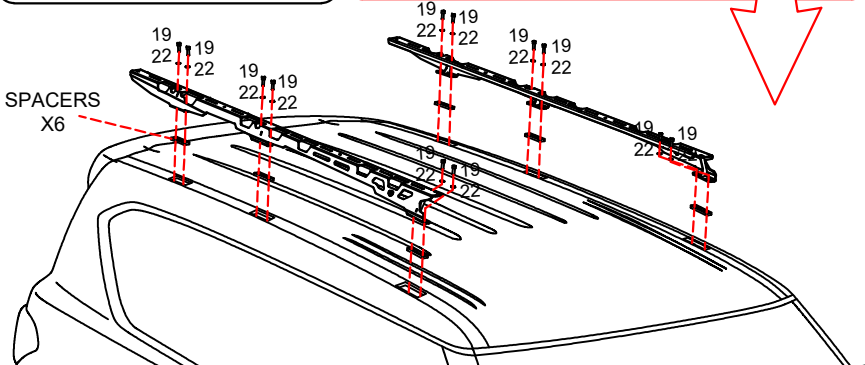


Fit side under rails with Allen cap M8 in original holes and tighten.

- 19 M8 X 25 Allen cap. X12
- 26 M8 Washer X12



1- Use SEALANT around all roof holes before place brackets to protect and seal.
2- Clean the sealant excess after placement of roof - brackets.



Tighten all M8 Allen cap bolts and M8 nuts using 6mm Allen key and 13mm Wrench.



DONE!

