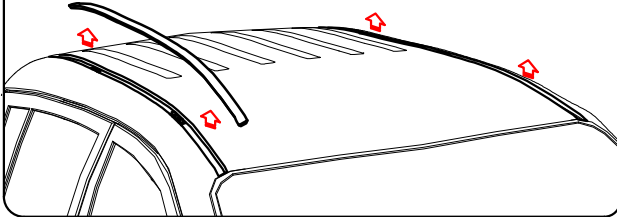
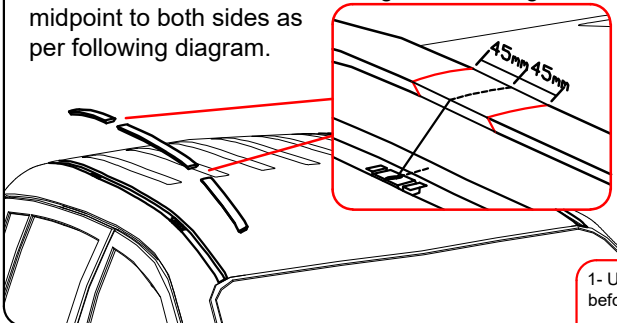


Remove both rubber ditch cover, handle with care, do not waste covers. look for the four originals fixing point.

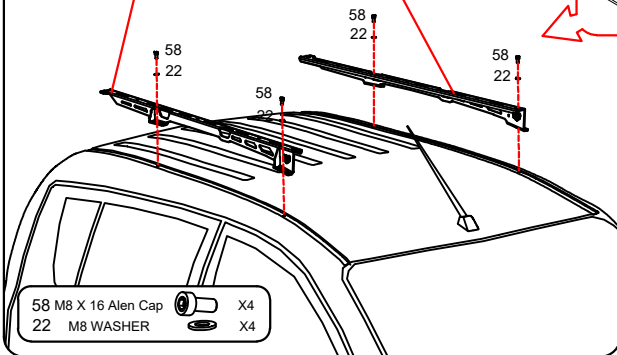


Mark and cut 45mm from the original fastening midpoint to both sides as per following diagram.



Fit side under rails brackets, with M8 ALEN CAP BOLTS in original holes.

TMX RR 012 1040494 LH - RH

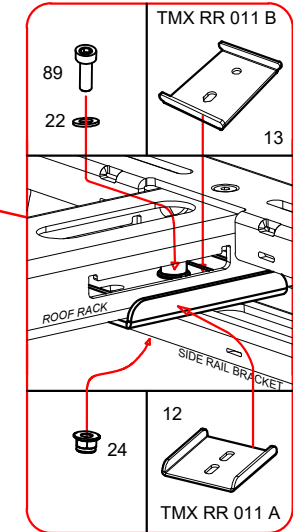
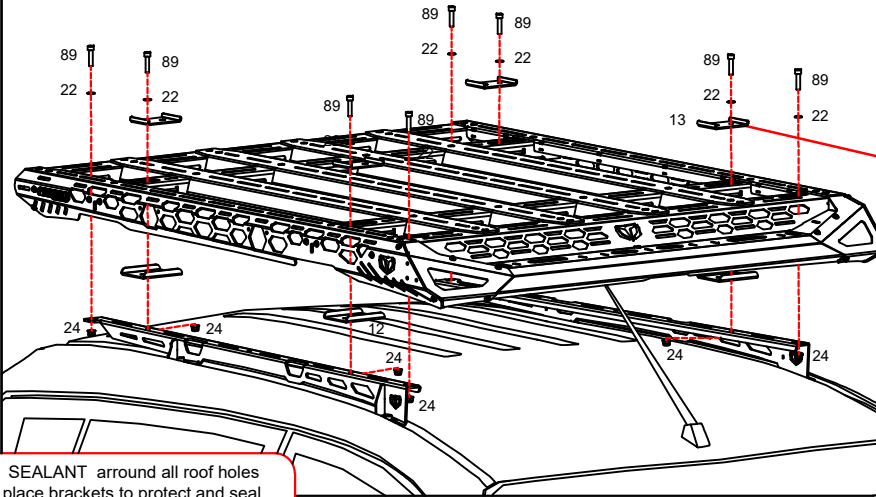


58 M8 X 16 Alen Cap X4
22 M8 WASHER X4

M-SERIES TRITON D/C 104075

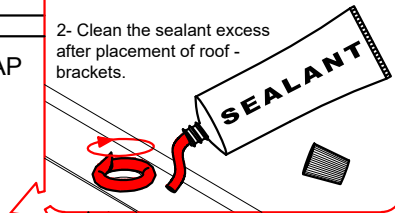


Place roof rack up to side rail brackets, and fasten as per following diagram



1- Use SEALANT around all roof holes before place brackets to protect and seal.

2- Clean the sealant excess after placement of roof - brackets.



DONE!

TMX RR 104049 BRACKET BOLT KIT

Item N°	Part	Description	Qty
24	M8 1,25 flange nylock nut		8
89	M8 1,25 x 35 Alen Cap		8
58	M8 1.25 X 16 ALEN CAP		4
22	M8 washer		12

