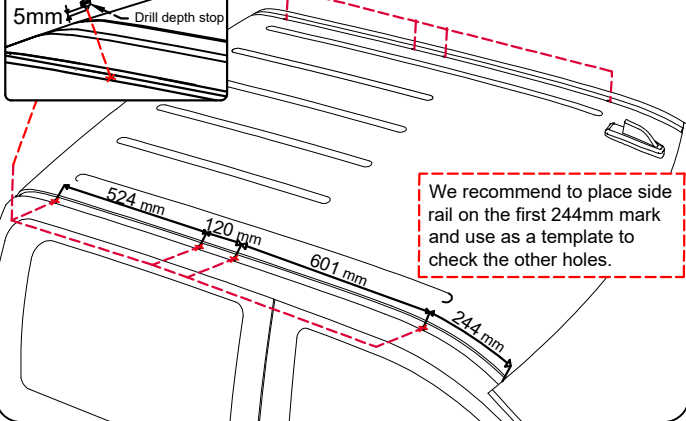


Do not drill or damage side airbag. It is the responsibility of the installer to ensure airbag is not damaged during or after installation.



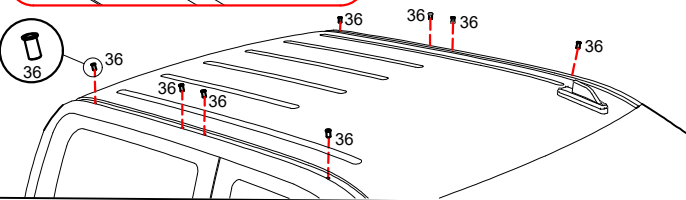
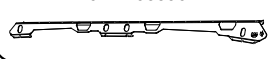
We recommend to place side rail on the first 244mm mark and use as a template to check the other holes.

- 1- Use SEALANT around all roof holes, before and after place M8 Threaded Rivet, to protect and seal.
- 2- Clean the sealant excess after placement of roof brackets.

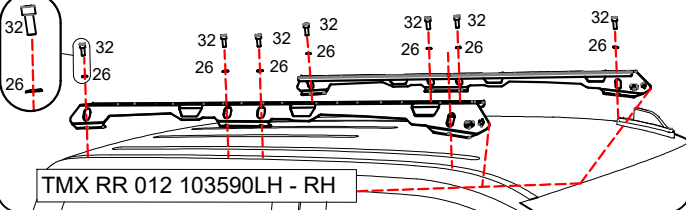


- 32 M8 X 25 Allen Cap X8
- 26 M8 WASHER X8
- 36 M8 Threaded Rivet X8

TMX RR 012 103590 LH - RH



Fit side under rails with Alen cap M8 on drilled holes and tighten.

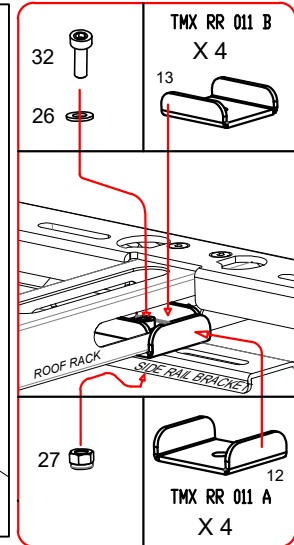
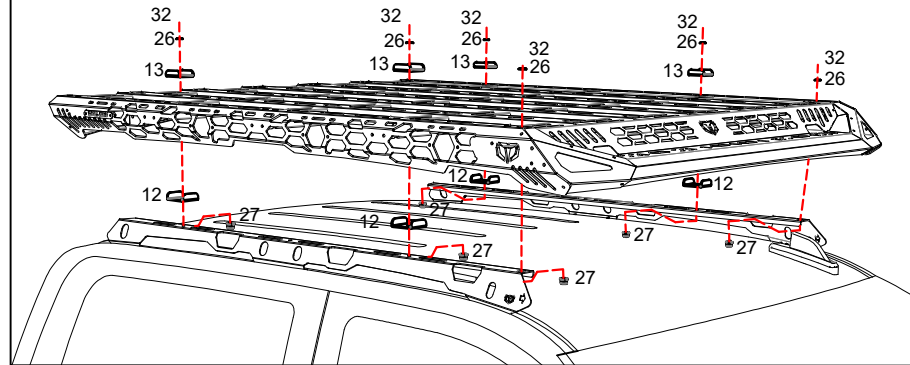


SILVERADO 2500 D/C 103592



After under rails have been fitted, place roof rack up to side under rails brackets, and fasten as per following diagram

- 32 M8 X 25 Allen Cap X6
- 26 M8 WASHER X6
- 27 M8 NYLOOK NUT X6



Tighten all M8 Allen cap bolts and M8 nuts using 6mm Allen key and 13mm Wrench.



DONE!

TMX RR 103590 BRACKET BOLT KIT			
Item N°	Part	Description	Qty
27	M8 1,25 flange nylock nut		6
26	M8 washer		14
32	M8 1.25 x 25 Allen Cap		14
36	M8 Nut Insert, 3 - 5.5mm grip		8

