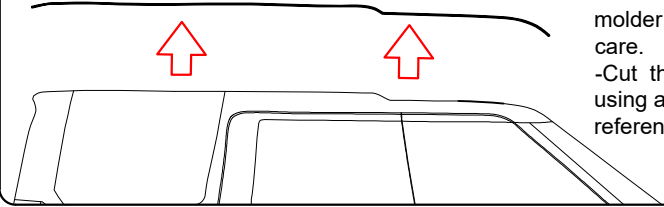
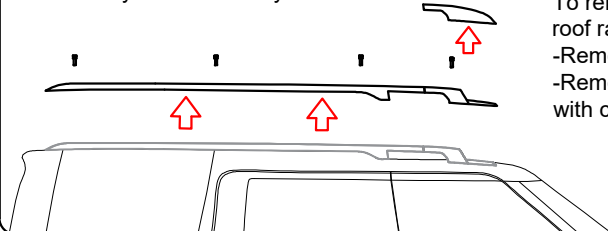


Discovery 3 without Factory Roof Rails



-Remove Rubber molder, handle with care.
-Cut the rubber using a bracket as a reference.

Discovery 3 with Factory Roof Rails

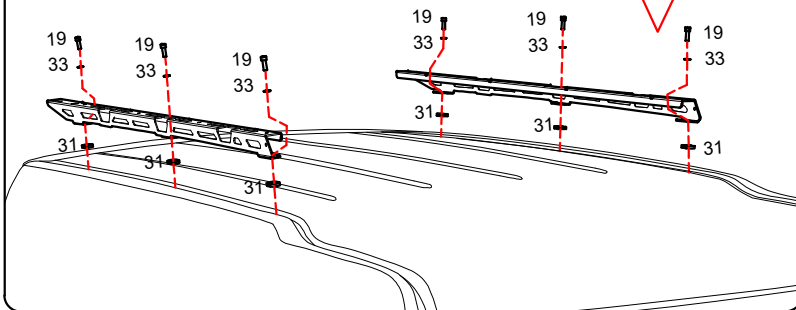
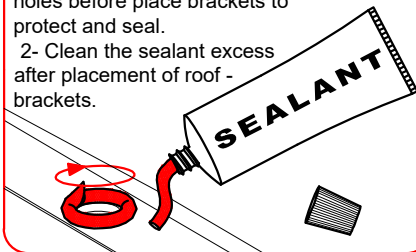


To remove Factory roof rails:
-Remove leg cover.
-Remove original bolts with care.

Fit side under rails with Alen cap M8 in original holes and tighten.

- 19 M8 X 25 Alen cap. X6
- 33 M8 Washer X6
- 31 Laser cut Spacers 6mm X6

1- Use SEALANT around all roof holes before place brackets to protect and seal.
2- Clean the sealant excess after placement of roof -brackets.



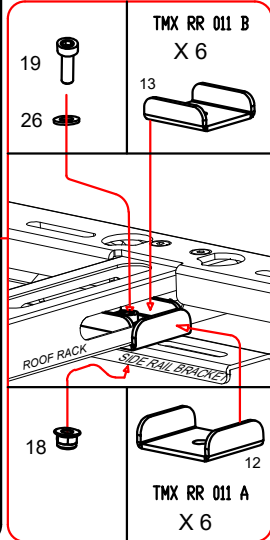
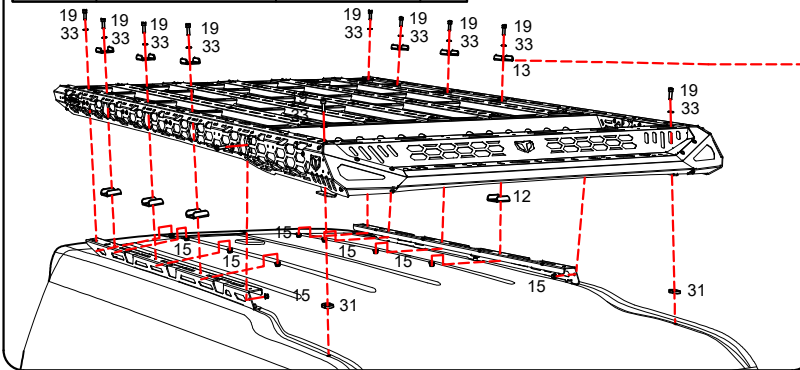
LR DISCOVERY 3
103608



TMX RR 103607 BRACKET BOLT KIT

Item N°	Part	Description	Qty
15	M8 1.25 flange nylock nut		18
19	M8 1.25 X 25 Alen cap		18
33	M8 washer		18
31	Laser cut Spacers 6mm		6

- 19 M8 X 25 Alen Cap X 12
- 26 M8 Washer X 12
- 18 M8 Nylock Flange nut X 12



Tighten all M8 Allen cap bolts and M8 nuts using 6mm Allen key and 13mm Wrench.



DONE!

