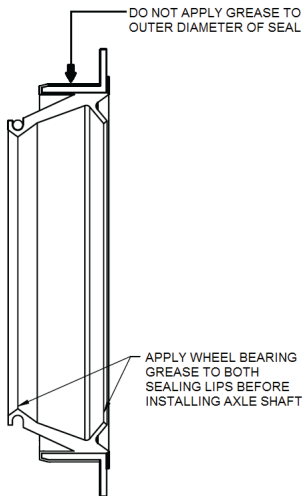




# INSTALLATION INSTRUCTIONS FOR TRAIL-SAFE™ SEALS



**RECOMMENDED TOOLS:** WHEEL BEARING GREASE, [SEAL DRIVER SET](#)

- 1. READ INSTRUCTIONS COMPLETELY AND CAREFULLY BEFORE YOU BEGIN.**
- 2. PARK VEHICLE ON A CLEAN, DRY, FLAT, LEVEL SURFACE AND BLOCK THE TIRES SO THE VEHICLE CANNOT ROLL IN EITHER DIRECTION.**
- 3. THIS KIT IS FOR OFF-ROAD USE ONLY. IT IS RECOMMENDED THAT THE INSTALLATION STEPS BE PERFORMED BY A COMPETENT MECHANIC. BUYERS AND USERS OF THIS PRODUCT HEREBY EXPRESSLY ASSUME ALL RISKS ASSOCIATED WITH THE INSTALLATION AND USE OF THIS KIT.**