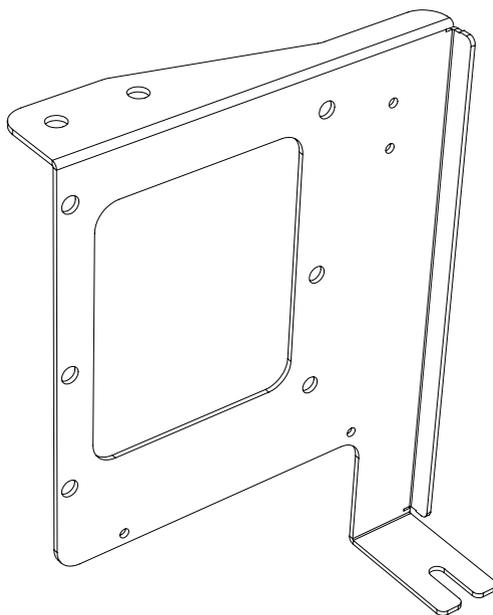


THE POWER OF

**REDARC**®

# BCDC Mounting Bracket

Suitable For  
**Toyota HiLux**  
(03/2005 - 09/2015)



**BCDCMB-004**



## THE BCDC MOUNTING BRACKET

---

The REDARC BCDC Mounting Bracket is designed to install your BCDC in the cool airflow at the front of your vehicle, away from high temperature areas for maximum performance. The BCDC Mounting Bracket is constructed from durable stainless steel and has been designed to fit existing mounting points in your vehicle for ease of installation.

## WARNING & SAFETY INSTRUCTIONS

---

**Save these instructions - this manual contains important safety instructions for the BCDCMB-004 Mounting Bracket**

**Do not install the BCDC Mounting Bracket unless you have read and understood these installation instructions.**

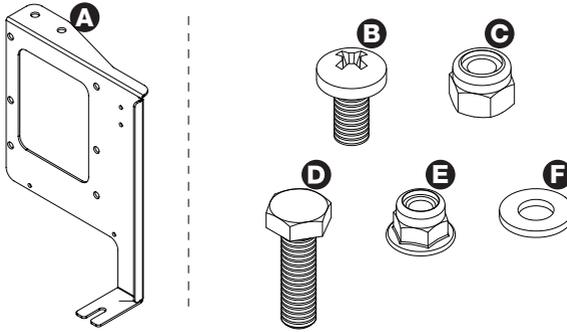
**Before fitting, follow instructions and review your vehicle to ensure this kit suits your vehicle make and model specifications.**

### CAUTION

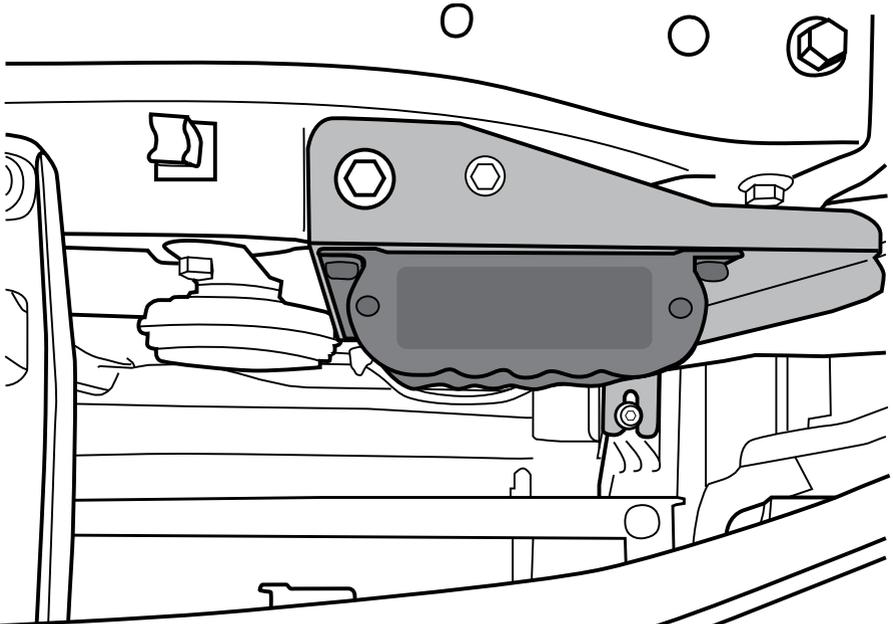
- Removing factory fitted screws may expose bare metal resulting in rust. Retouch any exposed metal with rust inhibitor if it is not an earth connection.
- Damage to cabling can cause failure of BCDC and vehicle electrical systems. Ensure wiring is clear of sharp edges and moving parts, and have enough slack to allow for flexing.

## KIT CONTENTS

Code	Part Description	Quantity
A	BCDCMB-004 BCDC Mounting Bracket	1
B	M6x12 Pan Head Bolt	4
C	M6 Nylon Locking Nut	4
D	M6x20 Hex Head Bolt	1
E	M6 Flanged Nylon Locking Nut	1
F	M6 Flat Washer	1



## COMPLETED INSTALLATION



# INSTALLATION

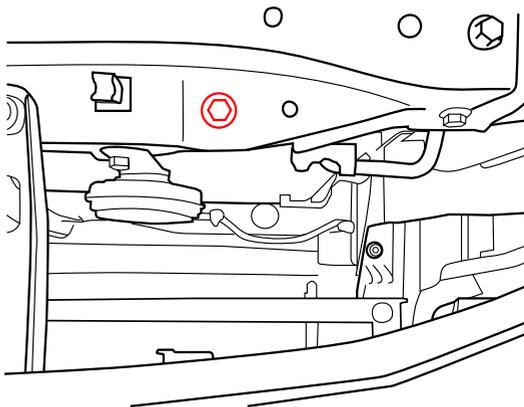
---

## Step 1

- Remove the M6 bolt on the passenger side of the radiator support panel holding the radiator bracket in place.

### **⚠ CAUTION**

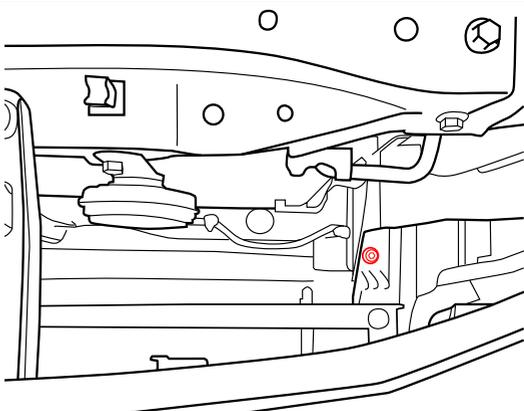
Removing factory fitted screws may expose bare metal resulting in rust. Retouch any exposed metal with rust inhibitor if it is not an earth connection.



---

## Step 2

- Loosen the factory hex head screw holding the lower headlight mount. On some models a plastic air deflector covers the headlight mount. If present continue to Step 3, otherwise proceed to Step 5.



---

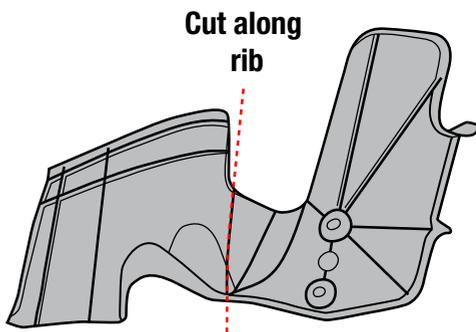
## Step 3

- Remove the plastic air deflector by removing the 2 body clips and popping the plastic retainer clips out.

---

## Step 4

- Cut the plastic air deflector just above the strengthening rib as shown to allow clearance for the BCDC Mounting Bracket.

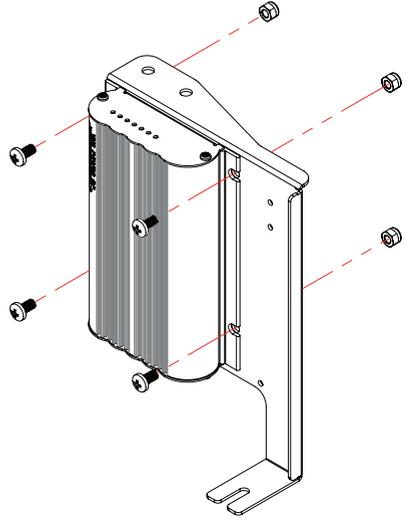


## INSTALLATION

---

### Step 5

- Assemble the BCDC charger onto the bracket using the supplied M6x12 Pan Head Bolts and M6 Nylon Locking nuts.



---

### Step 6

- Wire the BCDC according to its instruction manual, leaving the input and output positive wires long enough to connect to the battery once the charger is mounted.

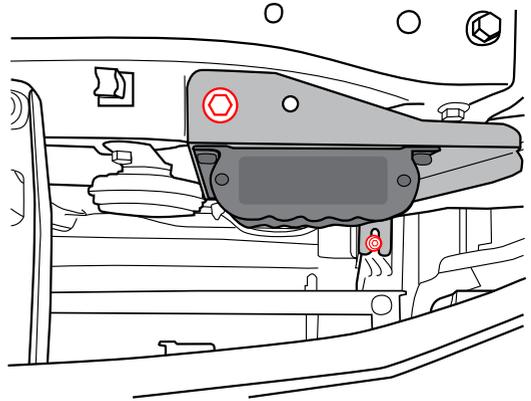
#### **⚠ CAUTION**

Damage to cabling can cause failure of BCDC and vehicle electrical systems. Ensure wiring is clear of sharp edges and moving parts, and have enough slack to allow for flexing.

---

### Step 7

- Slide the BCDC charger assembly between the grille and radiator support panel. Secure in place with the factory M6 bolt removed earlier. Adjust to ensure clearance on the A/C pipes. Tighten the headlight mounting screw once the foot is in a central mounting position. Ensure these fasteners are torqued to the vehicle manufacturers specification.

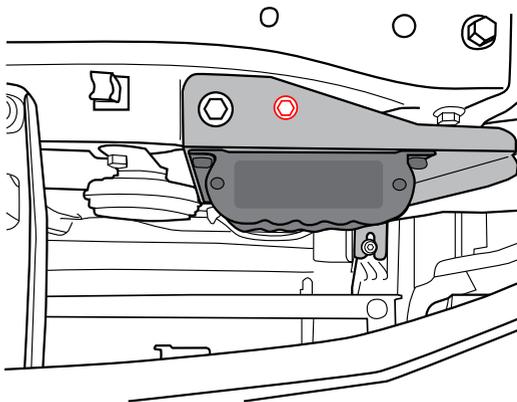


## INSTALLATION

---

### Step 8

- Secure the third mounting position with the supplied M6x20 Hex Bolt, M6 Washer and M6 Flanged Nylon Locking Nut. Tighten to 7.5 Nm.



---

### Step 9

- If removed in Step 5, re-fit the modified plastic air deflector with the 2 body clips. Finalise BCDC wiring according to the BCDC instruction manual.

## PERIODIC MAINTENANCE/CHECKS

---

Check the BCDC is clear of combustibles during regular servicing of the vehicle. Build-up of combustible materials around the bracket may result in a fire hazard.

# TWO YEAR PRODUCT WARRANTY

Over the last three decades our company has established a reputation as the power conversion specialist.

A 100% Australian-owned company, we have met the needs of customers in transport and other industries through exciting, innovative thinking.

We believe in total customer satisfaction and practice this by offering our customers:

- Technical advice free of jargon and free of charge
- Prompt turnaround of orders throughout Australia and globally
- Friendly, personalised, professional service and product support

In the unlikely event that a technical issue arises with a Redarc product, customers are encouraged to initially contact the Redarc Technical Support Team on (08) 8322 4848 or [power@redarc.com.au](mailto:power@redarc.com.au) for prompt and efficient diagnosis and product support.

Our goods come with guarantees that cannot be excluded under the Australian Consumer Law. You are entitled to a replacement or refund for a major failure and compensation for any other reasonably foreseeable loss or damage. You are also entitled to have the goods repaired or replaced if the goods fail to be of acceptable quality and the failure does not amount to a major failure.

The benefits of this Warranty are in addition to other rights and remedies available at law in respect of the Products and shall not derogate from any applicable mandatory statutory provisions or rights under the Australian Consumer Law.

Redarc Electronics Pty Ltd and the Redarc Trust trading as Redarc Electronics ("Redarc") offers a warranty in respect of its Products where the Products are purchased from an authorised distributor or reseller of Redarc by a person ("Purchaser"), on the terms and conditions, and for the duration, outlined below in this document ("Warranty").

1. In this Warranty, the term **Products** means:

- 1.1 all products manufactured or supplied by Redarc (excluding its solar products which are covered by Redarc's Solar Product Warranty); and
- 1.2 any component of or accessory for any product in clause 1.1 manufactured or supplied by Redarc.

## Offer and duration of product warranties

2. Redarc warrants that its Products will be free, under normal application, installation, use and service conditions, from defects in materials and workmanship affecting normal use, for **2 years** from the date of purchase (**Warranty Period**).
3. Where a Product malfunctions or becomes inoperative during the Warranty Period, due to a defect in materials or workmanship, as determined by Redarc, then subject to further rights conferred by the Australian Consumer Law on the Purchaser, Redarc will, in exercise of its sole discretion, either:
  - 3.1 repair the defective Product;
  - 3.2 replace the defective Product; or
  - 3.3 provide a refund to the Purchaser for the purchase price paid for the defective Product, without charge to the Purchaser.
4. The warranty given by Redarc in clause 3 covers the reasonable costs of delivery and installation of any repaired or replaced Products or components of Products to the Purchaser's usual residential address notified to Redarc, together with the reasonable costs of removal and return of any Products determined by Redarc to be defective.
5. If the Purchaser incurs expenses of the nature referred to in clause 4 in the context of making a claim pursuant to this Warranty that is accepted by Redarc, the Purchaser will be entitled to claim for reimbursement of those expenses which Redarc determines, in exercise of its sole discretion, to be reasonably incurred, provided that the claim is notified to Redarc in writing at the postal address or email address specified in clause 21 and includes:
  - 5.1 details of the relevant expenses incurred by the Purchaser; and
  - 5.2 proof of the relevant expenses having been incurred by the Purchaser.

## Exclusions and limitations

6. This Warranty will not apply to, or include any defect, damage, fault, failure or malfunction of a Product, which Redarc determines, in exercise of its sole discretion, to be due to:
  - 6.1 normal wear and tear or exposure to weather conditions over time;
  - 6.2 accident, misuse, abuse, negligence, vandalism, alteration or modification;
  - 6.3 non-observance of any of the instructions supplied by Redarc, including instructions concerning installation, configuring, connecting, commissioning, use or application of the Product, including without limitation choice of location;
  - 6.4 failure to ensure proper maintenance of the Product strictly in accordance with Redarc's instructions or failure to ensure proper maintenance of any associated equipment or machinery;
  - 6.5 repairs to the Product that are not strictly in accordance with Redarc's instructions;
  - 6.6 installation, repairs or maintenance of the Product by, or under the supervision of, a person who is not a qualified auto electrician or technician, or if non-genuine or non-approved parts have been fitted;
  - 6.7 faulty power supply, power failure, electrical spikes or surges, lightning, flood, storm, hail, extreme heat, fire or other occurrence outside the control of Redarc;
  - 6.8 use other than for any reasonable purpose for which the Product was manufactured;
  - 6.9 any indirect or incidental damage of whatever nature outside the control of Redarc.
7. Warranty claims in respect of a Product must be made in writing to Redarc at the postal address or email address specified in clause 21 within the Warranty Period. Such claims must include the following:
  - 7.1 details of the alleged defect or fault and the circumstances surrounding the defect or fault;
  - 7.2 evidence of the claim, including photographs of the Product (where the subject of the claim is capable of being photographed);
  - 7.3 the serial number of the Product, specified on the label affixed to the Product; and
  - 7.4 proof of purchase documentation for the Product from an authorised distributor or reseller of Redarc, which clearly shows the date and place of purchase.The return of any Products without the prior written instructions of Redarc will not be accepted by Redarc.

8. Without limiting any other clause in this Warranty, Redarc has the right to reject any Warranty claim made by a Purchaser pursuant to this Warranty where:
  - 8.1 the Purchaser does not notify Redarc in writing of a Warranty claim within the Warranty Period;
  - 8.2 the Purchaser does not notify Redarc in writing of a Warranty claim within 1 month of becoming aware of the relevant circumstances giving rise to the claim, so that any further problems with the Product are minimised;
  - 8.3 the serial number of the Product has been altered, removed or made illegible without the written authority of Redarc;
  - 8.4 the Purchaser is unable to provide proof of purchase documentation in accordance with clause 7.4 or evidence that the Product was properly installed and removed (if relevant), and that proper maintenance has been performed on the Product, by, or under the supervision of, a qualified auto electrician or technician, in accordance with the instructions of Redarc.
9. If the Product is found to be working satisfactorily on return to Redarc or upon investigation by Redarc, the Purchaser must pay Redarc's reasonable costs of testing and investigating the Product in addition to shipping and transportation charges. Where Redarc is in possession of the Product, the Product will be returned to the Purchaser on receipt of the amount charged.
10. Any replaced Products or components of Products shall become the property of Redarc.
11. Redarc may, in exercise of its sole discretion, deliver another type of Product or component of a Product (different in size, colour, shape, weight, brand and/or other specifications) in fulfilling its obligations under this Warranty, in the event that Redarc has discontinued manufacturing or supplying the relevant Product or component at the time of the Warranty claim, or where such Product or component is superior to that originally purchased by the Purchaser.

## Other conditions of Warranty

12. If the Purchaser acquired a Product for the purpose of resupply, then this Warranty shall not apply to that Product.
13. In particular, the sale of a Product via an online auction, online store or other internet website by a party that is not an authorised distributor or reseller of the Product will be deemed to be a resupply within the meaning of the Australian Consumer Law and will render this Warranty void, as Redarc has no control over the storage, handling, quality or safety of Products sold by such persons.
14. A Purchaser shall only be entitled to the benefit of this Warranty after all amounts owing in respect of the Product have been paid.
15. While Redarc warrants that the Products will be free from defects in materials and workmanship in the circumstances set out in this Warranty, to the maximum extent permitted by law Redarc does not warrant that the operation of the Products will be uninterrupted or error-free.
16. To the maximum extent permitted by law, Redarc's determination of the existence of any defect and the cause of any defect will be conclusive.
17. Spare parts or materials for the Products are guaranteed to be available for a period of at least 2 years after purchase of the Products.
18. The agents, officers and employees of any distributor or reseller of the Products and of Redarc are not authorised to vary or extend the terms of this Warranty.
19. Redarc shall not be responsible or liable to the Customer or any third party in connection with any non-performance or delay in performance of any terms and conditions of this Warranty, due to acts of God, war, riots, strikes, warlike conditions, plague or other epidemic, fire, flood, blizzard, hurricane, changes of public policies, terrorism and other events which are beyond the control of Redarc. In such circumstances, Redarc may suspend performance of this Warranty without liability for the period of the delay reasonably attributable to such causes.
20. If a clause or part of a clause in this Warranty can be read in a way that makes it illegal, unenforceable or invalid, but can also be read in a way that makes it legal, enforceable and valid, it must be read in the latter way. If any clause or part of a clause in this Warranty is illegal, unenforceable or invalid, that clause or part is to be treated as removed from this Warranty, but the rest of this Warranty is not affected.

## Redarc's contact details

21. Redarc's contact details for the sending of Warranty claims under this Warranty are:  
Redarc Electronics Pty Ltd  
23 Brodie Road (North), Lonsdale SA 5160  
Email: [power@redarc.com.au](mailto:power@redarc.com.au)  
Telephone: +61 8 8322 4848

## **Free technical assistance!**

For product and technical support contact your regional distributor, call our head office between 8:00am to 5:30pm Australian Central Standard Time, Monday to Friday or send an email using the regional specific details outlined below.



### **Australia (and other Global regions)**

[power@redarc.com.au](mailto:power@redarc.com.au)

[www.redarc.com.au](http://www.redarc.com.au)

+61 8 8322 4848

### **New Zealand**

[power@redarcelectronics.co.nz](mailto:power@redarcelectronics.co.nz)

[www.redarcelectronics.co.nz](http://www.redarcelectronics.co.nz)

+64-9-222-1024

### **North America**

[power@redarcelectronics.com](mailto:power@redarcelectronics.com)

[www.redarcelectronics.com](http://www.redarcelectronics.com)

#### **United States**

+1 (704) 247-5150

#### **Canada**

+1 (604) 260-5512

#### **Mexico**

+52 (558) 526-2898

### **UK/Europe**

[power@redarcelectronics.eu](mailto:power@redarcelectronics.eu)

[www.redarcelectronics.eu](http://www.redarcelectronics.eu)

+44 (0)20 3930 8109

Copyright © 2019 REDARC Electronics Pty Ltd. All rights reserved.