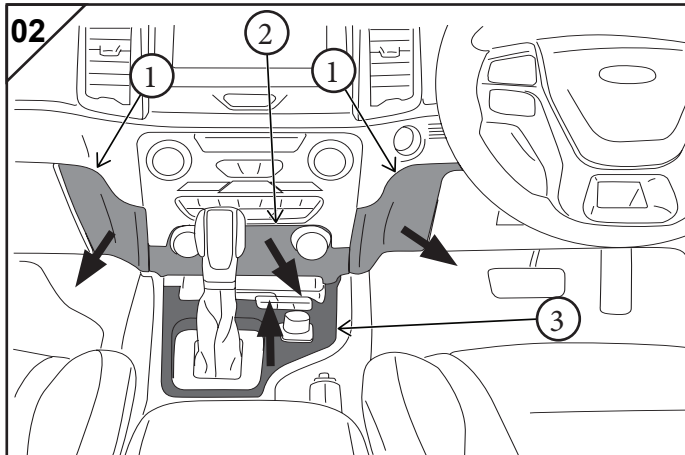
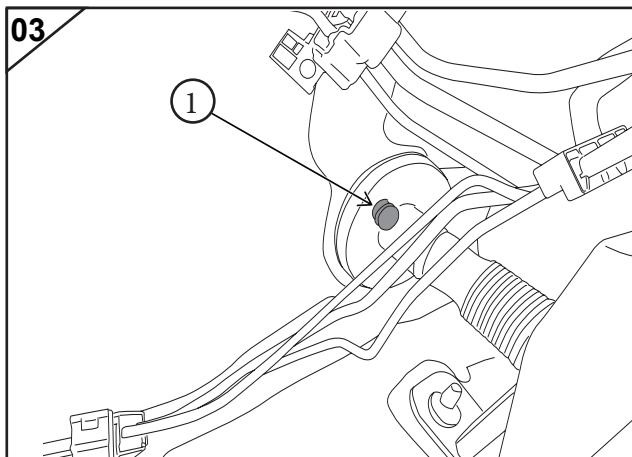


Remove Glovebox; Passenger side Scuff Trim; Kick Trim and B-Pillar Lower Trim



Remove both centre console lower Side Trims (1) and then Lower Centre Console (2) (fixings exposed).

This allows for the Gearshift surround trim (3) to be removed.

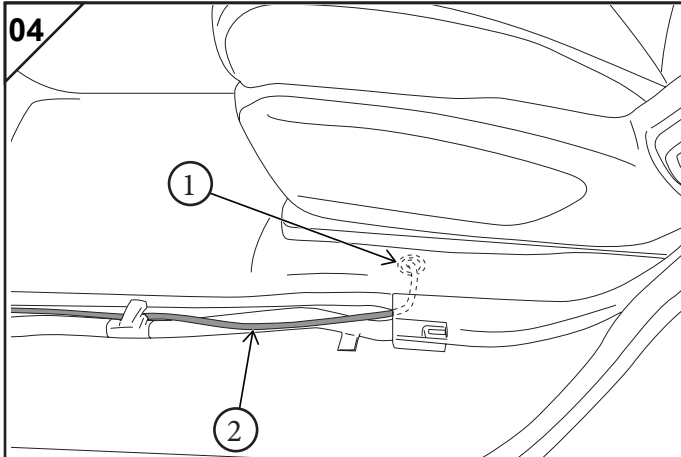


In the Engine Compartment in front of the passenger, pierce the end of the main grommet nipple (1), and feed the terminal end of the fused BLACK wire through to the interior.

Do not connect to Battery positive yet.

Ford Ranger / Everest

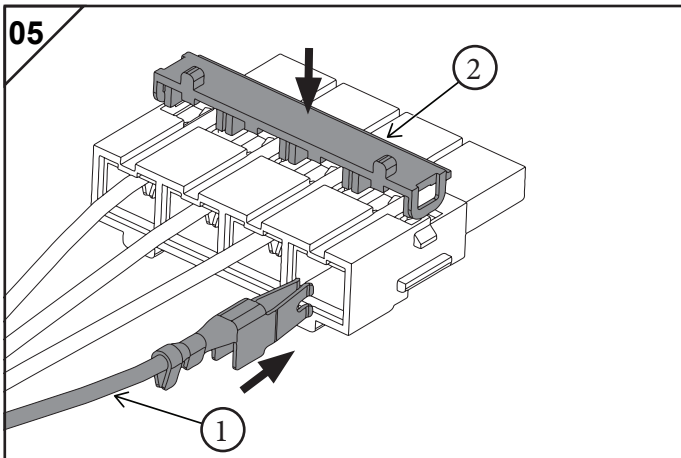
TPWKIT-012



Locate the 40mm grommet (1) under the Passenger Front seat (under carpet) and discard.

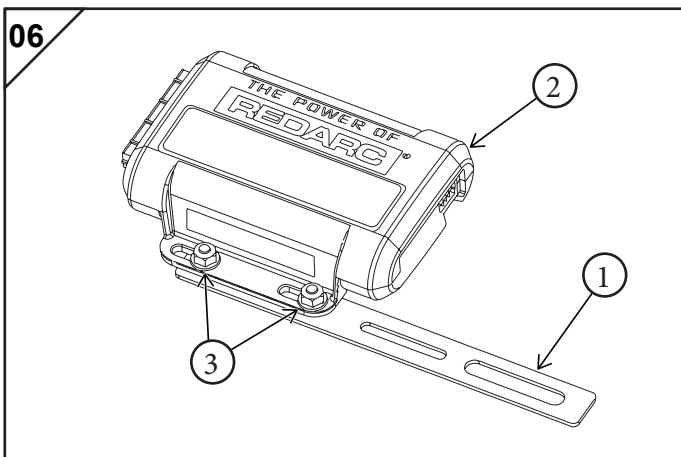
Feed the unterminated end of the TWIN CORE BLUE/RED cable (2) through from the inside, until you reach the new grommet.

Ensure the grommet is correctly fitted to provide a waterproof and dustproof seal.



Run the interior section of the cable forward to the left-hand side of the glovebox.

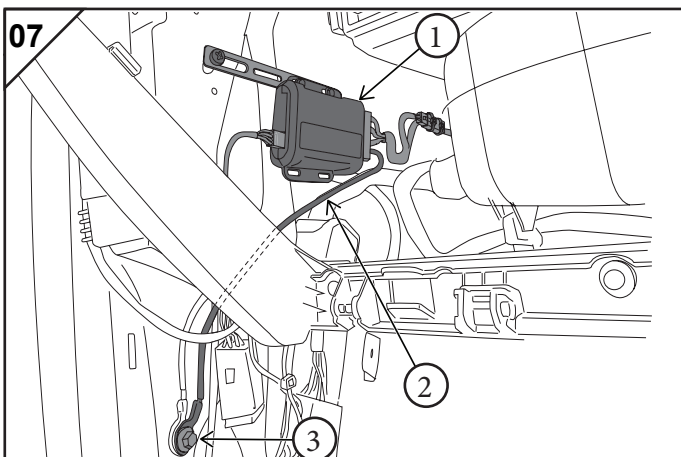
Terminate the BLACK wire (1) (fed through the firewall grommet in Step 3) in the vacant location of the 4-way connector, and secure with the terminal lock (2).



Fit the bracket strap (1) to one side of the Main Unit (2) using the fixings provided, as shown left (3).

NOTE - small connector nearest strap longer end

Plug in the 4-way MOLEX power connector and Remote Head cables.



Secure the Main Unit (1) to the left hand side of the glovebox:

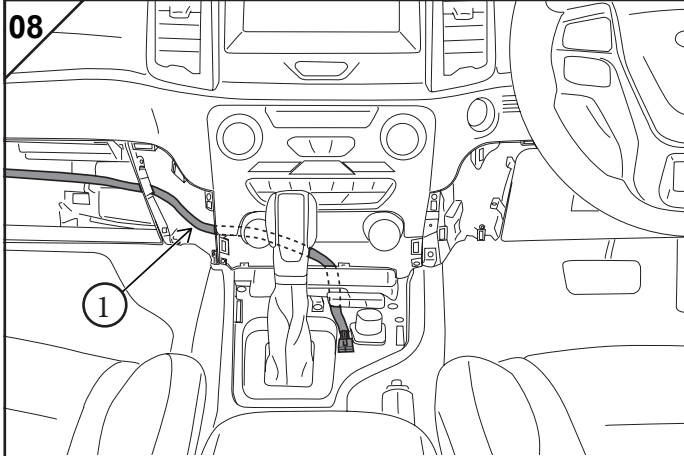
- if vehicle bracket fitted, use existing lower fixing
- if vehicle bare - use supplied M6 nut and bolt in lower square hole, or self-tapping fixing (not supplied) in lowermost hole

Ensure clear of glovebox opening/closing action.

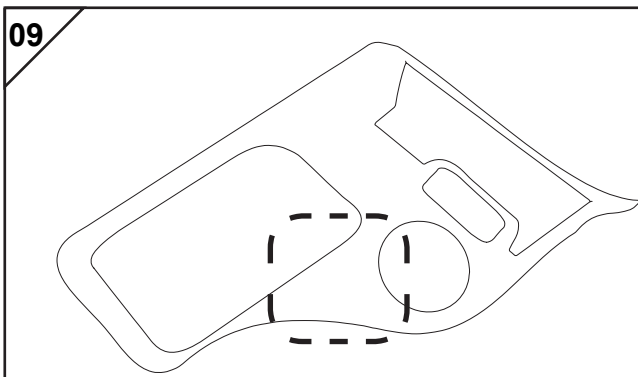
Secure the WHITE earth wire (2) to the existing vehicle fixing shown (3).

Ford Ranger / Everest

TPWKIT-012



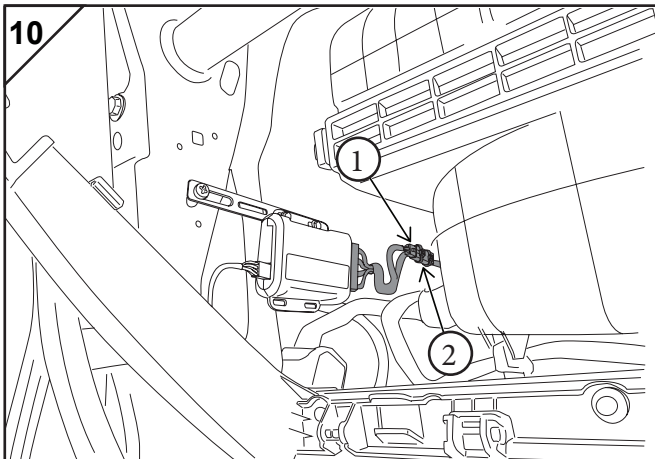
Route the Remote Head cable (1) along existing wiring (forward of glovebox hinge) to the area to the Right Hand Side of the Gear shift.



Using the drilling template provided, drill the mounting hole(s) and then fit the Remote Head to the gear surround trim from behind, securing with the nut provided.

To correctly align knob, rotate the shaft fully anti-clockwise and fit the knob with '0' at the TOP.

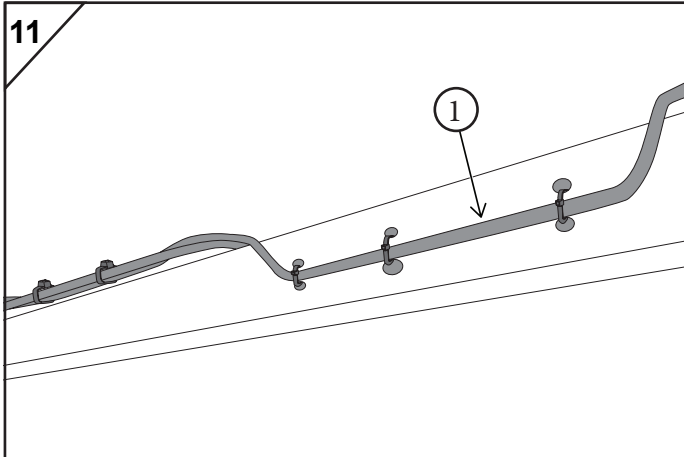
Tidy up any excess Remote Head cable, connect to the Remote Head when refitting trim.



Connect small 'Signal Conditioning Module' (1) supplied in kit, to the small 2-way connector near the 4-way Power MOLEX, ensuring you hear the 'click' of engagement, and secure to wiring with two cable ties (2).

Secure all parts and wiring and ensure clear of sharp edges and moving parts.

Re-fit all trim.



Under the vehicle, route the TWIN CORE BLUE/RED cable (1) along the chassis rail rearwards, securing to existing vehicle wiring where possible. If no wiring near, feed cable ties through chassis holes and secure wiring to side face, as indicated left.

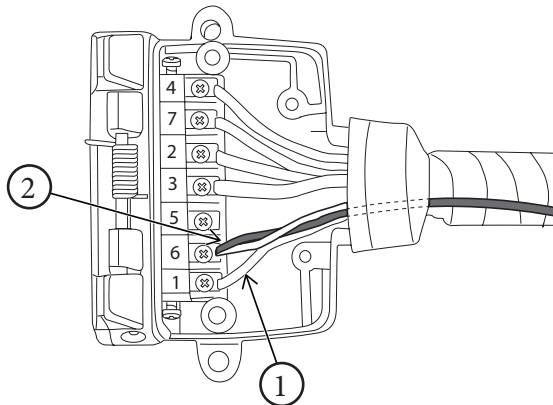
Route to the trailer socket.

Ensure the wiring is clear of any hot surfaces; moving parts and sharp edges. Do not secure to fuel or brake lines.

Ford Ranger / Everest

TPWKIT-012

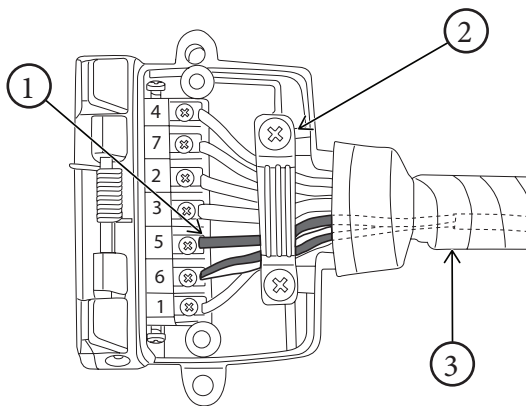
12



Open the trailer socket (7-pin shown as example); remove any cable clamp and peel back boot (if fitted).

Feed RED of TWIN CORE (2) under boot, and combine with existing RED (1) in terminal 6 position and re-tighten.

13

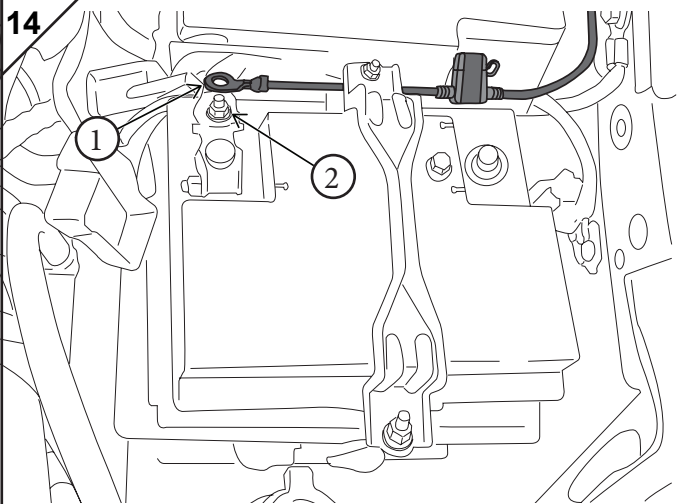


If any BLUE is fitted to terminal 5 position, remove and insulate, pulling back to main harness.

Feed BLUE (1) of TWIN CORE to terminal 5 and tighten.

Refit any clamp (2) and boot, and wrap in insulating tape to secure (3).

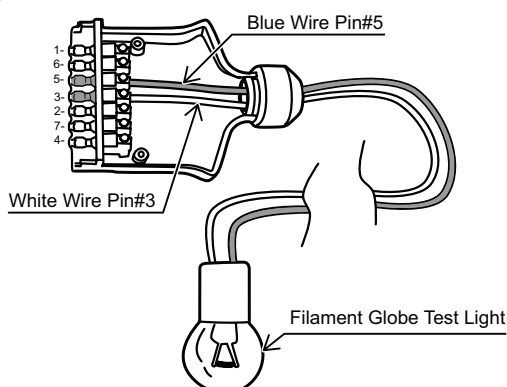
14



Secure BLACK fused wire (1) to existing wiring, connecting the eyelet to the Positive terminal (2).

Seal the wire at the grommet (step 3) with wraps of electrical tape.

15

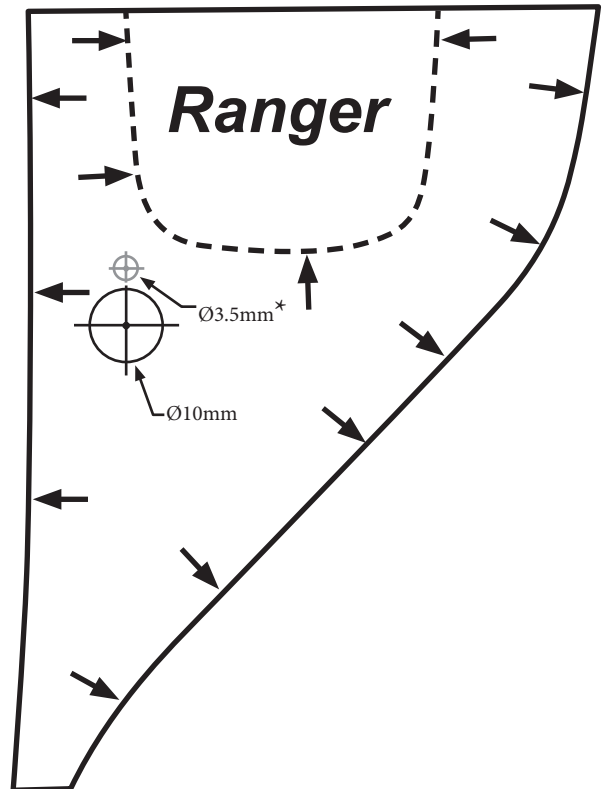
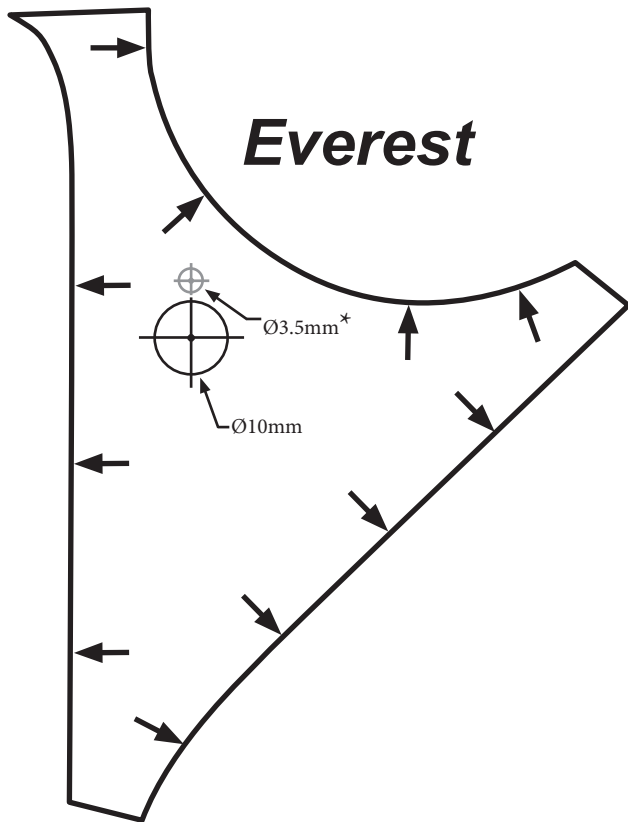
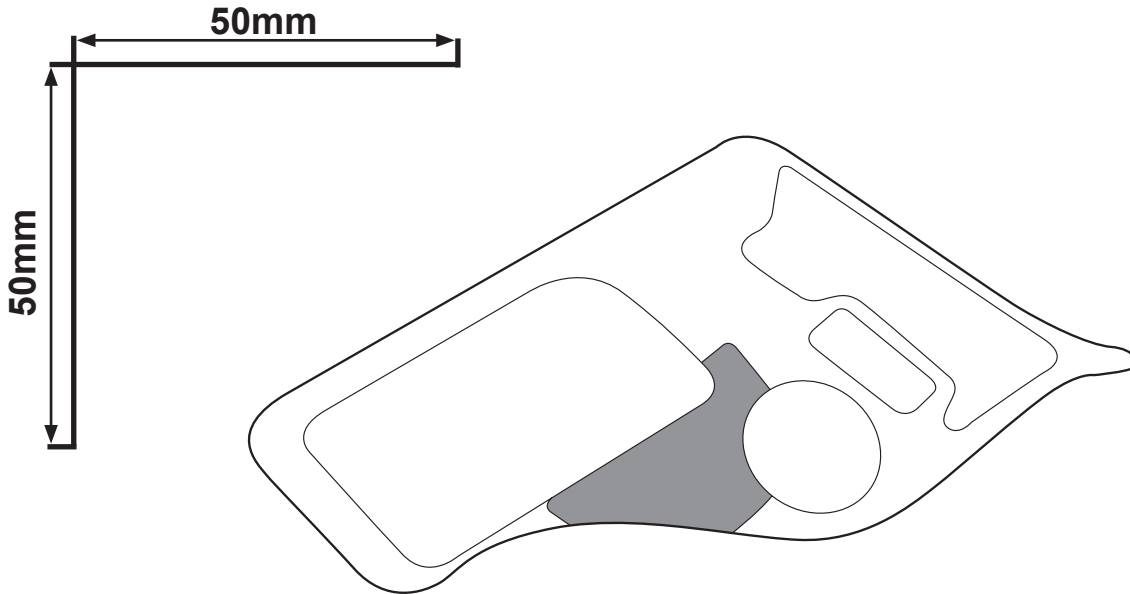


Test the installation using a test load (recommended 21W globe or equivalent) between terminal 5 and 3 on the trailer socket.

Perform a 'Mode Change' as per user manual - this will only be successful if the wiring is connected properly.

Ensure the unit is left in Proportional Mode for use.

Template - Confirm the scale is correct before use.



* The 3.5mm hole is not required for the V3 head