

THE ULTIMATE NUDGE BAR

TO SUIT ISUZU D-MAX 2020 - ON (3RD GEN, X-TERRAIN)

Protection in a light weight, form-fitting style that complements modern vehicle designs.



Proudly Designed, Engineered & Manufactured in Boronia, Victoria, Australia.

Ultimate9 Nudge Bars provide a layer of protection to the front of vehicles to shield vital components such as the radiator in the event of an accident. The low-profile, over-bumper design offers minimal forward projection and includes an Ultimate9 LED Light Bar.

Weighing, on average, less than 30 kg, The Ultimate Nudge Bar also serves as a mounting platform with UHF & mobile phone antenna, sand flags and additional Ultimate9 LED Light Bars provision.

Vehicle-specific designs accommodate OE safety features such as radars, parking sensors & front cameras and comply with Australian Design Rules.

HEAD OFFICE

Ultimate9

POSTAL ADDRESS

Factory A/28a Kalman Dr,
Boronia, VIC, 3155

DELIVERY ADDRESS

Factory A/28a Kalman Dr,
Boronia, VIC, 3155

CONTACT

T: (+61) 3 9729 8515
E: sales@ultimate9.co
W: www.ultimate9.co

Features:

- ADR Compliant
- Mounting system
- Made of Steel
- Designed, Engineered, and Manufactured in Australia
- Zinc-Plated & Powder Coated
- Lightweight
- Low-Profile & Form-Fitting
- Ultimate9 LED Light Bar Integration
- Light Bar Adjustment
- Front Sensor Integration
- Twin Output Loom
- Headlight Pickup
- Light Switches
- Hardware
- Comprehensive instructions
- Premium Packaging

Designed, Engineered & Manufactured in Australia


With Australian-manufactured steel, we laser-cut out each piece of the Nudge Bar for precision and consistency.

The steel is then folded with our 135T 7Axis CNC press brake and welded together using a series of jigs, providing high accuracy, precision, and consistent repeatability.



ADR Compliant

Ultimate9 Nudge Bars are Air Bag tested and designed to comply with Australian Design Rules.



This product and the associated fixings must not be modified. No accessory or fitment shall project forward of this product's forward profile. Do not use this product in any other motor vehicle for which it is not designed. This product will not effect ADR compliance when fitted to the below vehicle model as per the manufacturer instructions.

VEHICLE MAKE: ISUZU
 VEHICLE MODEL: D-MAX
 YEAR : MY20-ON

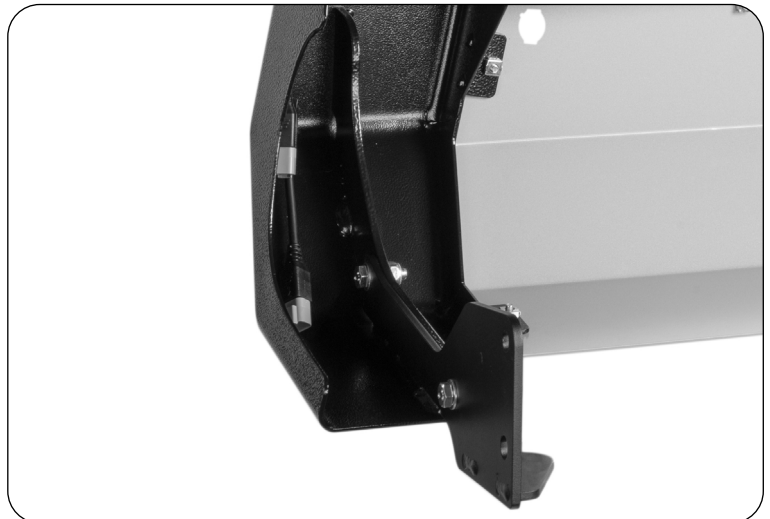
This product has been certified as SRS air bag compatible & compliant with AS:4876.1 sections 1,2 & 3.1. Warranty is void if label removed. Warranty information and product support is available at www.ultimate9.co

**ULTIMATE9 - FACTORY A/28A KALMAN DRIVE,
 BORONIA 3155, VICTORIA, AUSTRALIA**

LABEL P/NO: 950-0003

Mounting system

Chassis mounts are made from 8mm 250-grade steel and utilise factory chassis bolt holes, so no extra drilling is required, that connects via 6mm supports.



Made of Steel

The unique Nudge Bar main frame is produced from 250-grade 3mm steel, while the centre pan is 1.6mm steel with a laser-cut Ultimate9 logo.



Zinc Plated & Powder-Coated

Fabricated Nudge Bars are then zinc-plated, which protects from corrosion.

After being zinc plated, the Nudge Bars are powder coated with a Dulux Mannex Black textured powder coat for the main frame and a Satin Silver powder coat on the centre pan for style and added corrosion protection.



Lightweight

The low profile, over-bumper design offers minimal forward projection and contours to the shape of the vehicle's bumper bar.



Low Profile & Form-fitting

Vehicle-specific camera bracket allows the relocation of the front camera so functionality isn't blocked by Nudge Bar fitment.



Ultimate9 LED Light Bar Integration

The design integrates a Ultimate9 LED Light Bar 26" into the top c-channel.



LED Light Bar Features

Tested to ensure they meet the highest IP rating - IP68 & IP69K.

Gore® PolyVent breather ensures internal pressure can equalise to prevent seal failure & moisture/dust ingress - eliminating lens condensation & fogging.

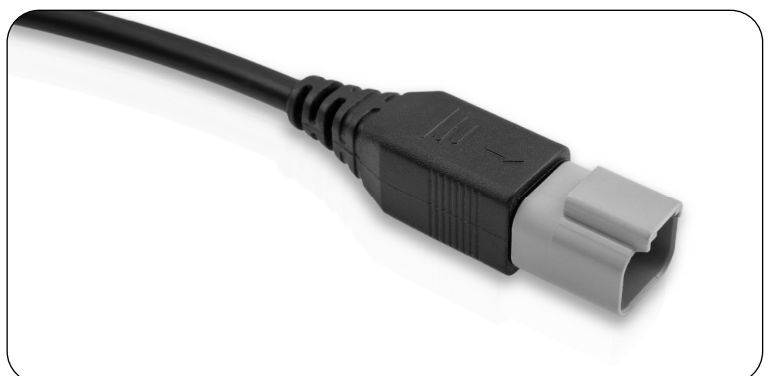
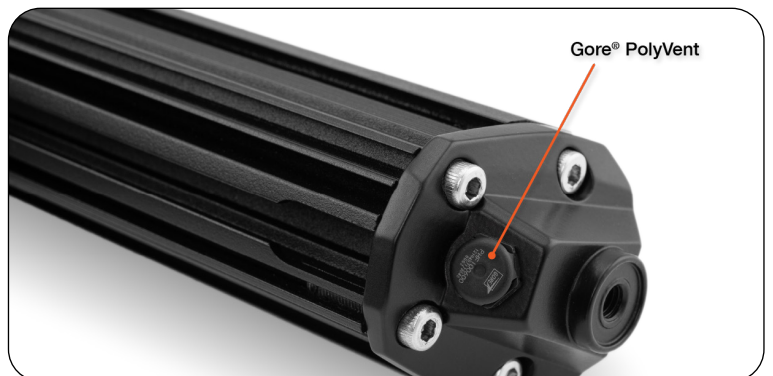
6063-grade aluminium housing, complete with 304 Stainless Steel fasteners and overlaid with a UV & corrosion resistant Dupont® coating.

GE Lexan® Polycarbonate lens provides high UV, scratch & impact resistance.

Flood & Spot reflector beam combination with 20°(Flood) & 8°(Spot) patterns.

Grade A Osram 5W LED chips & sealed DT connectors.

IP, vibration, UV, corrosions, RoHS, temperature exposure, impact, and EMC tests ensure Ultimate9 LED Light Bars exceed operational conditions and electrical standards for longevity & legal fitment.



Light Bar Adjustment

Adjusting the tilt of the Light Bar is done with our supplied Allen key via the holes located on the sides of the top c-channel.



Front Sensor Relocation

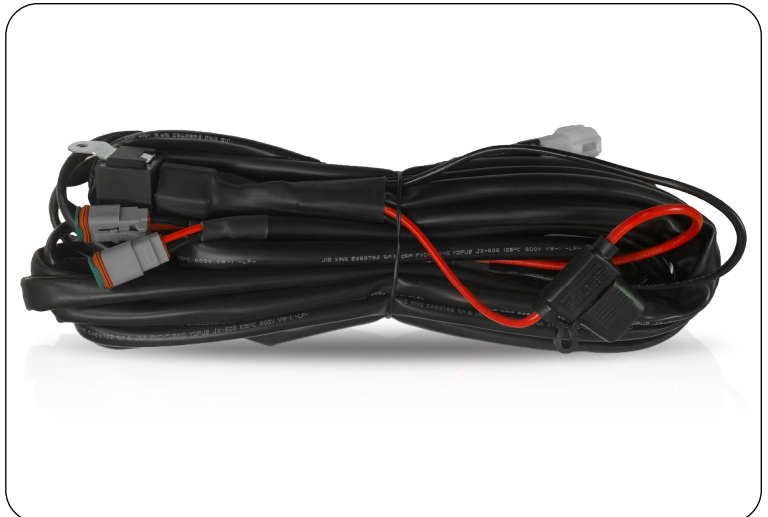
Laser cut holes in the centre pan, and 2 x extension wiring harnesses allow for repositioning of the OE PDC sensors.



Twin Output Loom

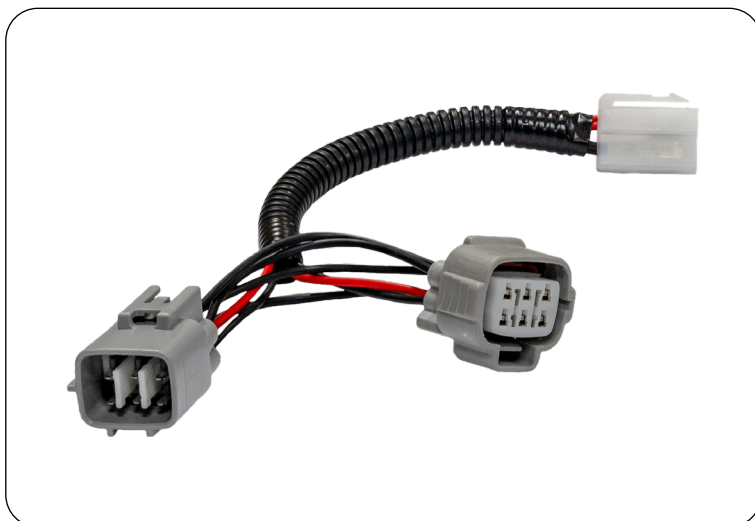
Our Ultimate9 Auxiliary Loom with twin outputs brings plug & play fitment for the included Light Bar with industry-standard, waterproof DT connectors.

The loom makes for easy fitment of additional 20-inch Ultimate9 LED Light Bars.



Headlight Pickup

Vehicle-specific headlight piggyback adapters come supplied, so there is no need to cut, solder or join into the factory vehicle loom. The pickups connect directly to the headlight loom for easy wiring.



Light Switches

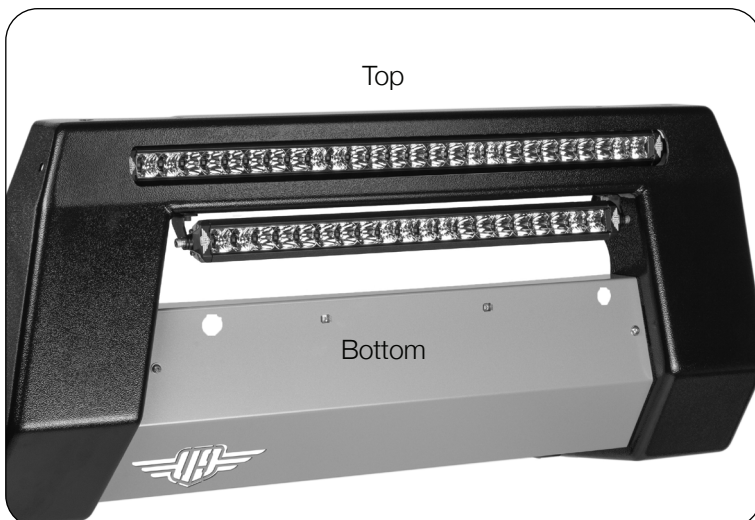
There is a choice of either a small round rocker switch or an Ultimate9 etched OE-style factory switch to allow for easy fitment & operation.



Additional Lighting

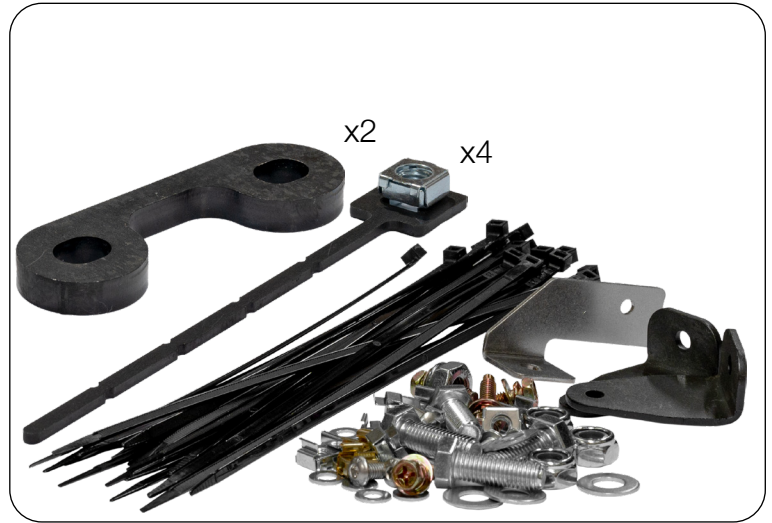
If additional lighting is required, there is pre-drilled provision to fit 20-inch LED Light Bars on top and below the c-channel.

Note; adding more than two light bars requires another Ultimate9 Auxiliary Loom.



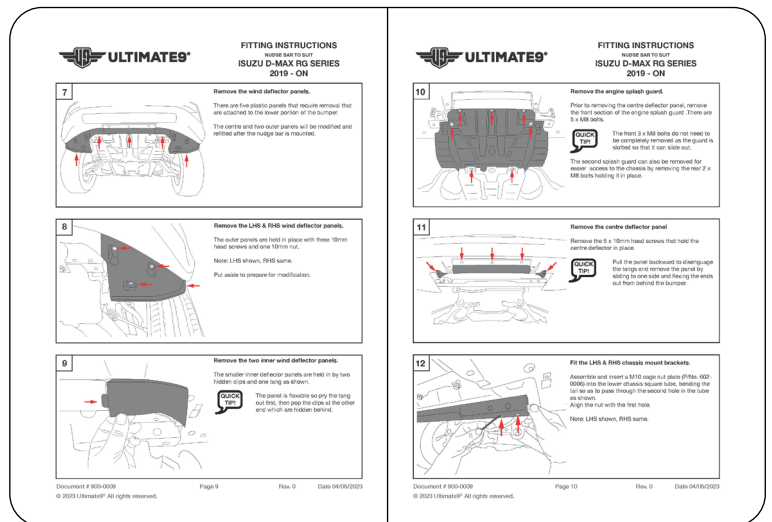
Hardware

A mixture of stainless steel & zinc-plated high-tensile bolts, nuts and washers come supplied for installation.



Comprehensive instructions

Multipage, line-drawn instructions provide step-by-step, clear & concise instructions to make fitment possible for both professional and DIY installers.



Premium Packaging

Custom-designed boxes isolate & layer parts to prevent movement during transit. Bars are also coated in protective film to prevent rub marks.

Cartons fit on a pallet two wide and can be stacked three high for a total of 6 per pallet.



Product details:

Name: The Ultimate Nudge Bar to suit Isuzu D-Max 2020 - ON (3rd Gen, X-Terrain)

Price RRP: \$1495.00

Price WHSP: Please contact sales@ultimate9.co to enquire about stockist pricing.

SKU: ULTN02020

Barcode: 787099451349

Specifications: (L)122cm x (W)56cm x (H)36cm, Weight: 27 kg
(packaged)

For more information please contact:

Ultimate9 Sales Team
Ph. 03 9729 8515
E. sales@ultimate9.co