

Install Guide

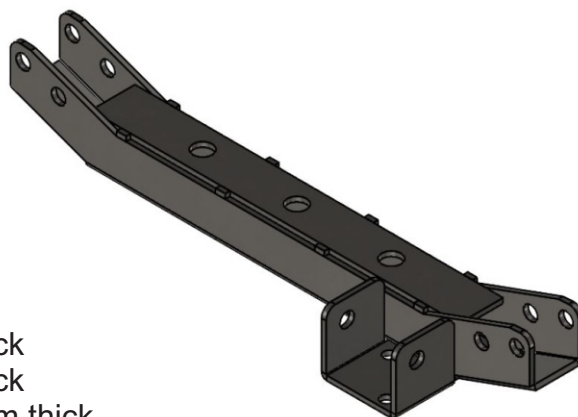
Front Differential - Drop Kit

This instruction sheet should be used in conjunction with the workshop manual and proper safety procedures followed.

Application - Toyota Land Cruiser
- 100 series 1998-2007
- Lexus LX470
- 1998-2008

(Always refer complete catalogue listing)

Contents - 1x steel diff-drop bracket
- 2x steel spacers - 65mm OD x 20mm thick
- 3x steel spacers - 25mm OD x 20mm thick
- 1x large nylon spacers 70mm OD x 22mm thick
- 2x small nylon spacers 30mm OD x 21mm thick
- 1x M14 x 1.5 x 140mm bolt + spring washer
- 4x M12 x 1.25 x 75mm bolts
- 6x M8 x 1.25 x 40 bolts
- 6x M8 flat washes
- 4x M8 spring washers



• Raise vehicle evenly and safely support.

Never rely on a Jack only.



- Start by removing the front metal bash plate along with the rear plastic section.
- The front diff will have to be supported - refer LH image.
- Proceed to un-bolt OE support bracket. Remove the 4 bolts (2 per side of bracket) - and 1 bolt for the diff control arm.

Refer Page 2

It is recommended that a licenced workshop or tradesperson carry out the above procedure and that workshop manual and relevant safety procedures are followed in addition to the above.

Install Guide

Front Differential - Drop Kit

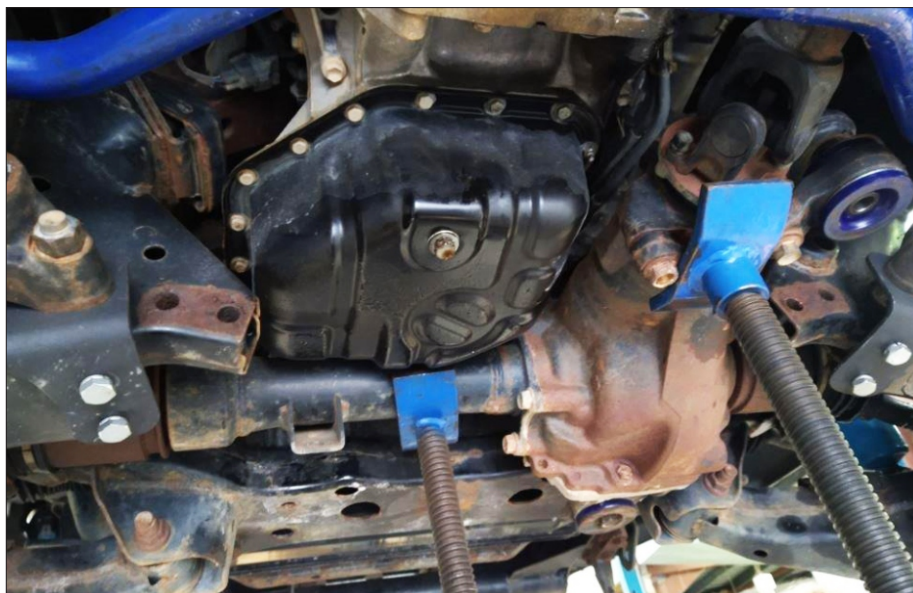
This instruction sheet should be used in conjunction with the workshop manual and proper safety procedures followed.

- Proceed to remove front and rear RH M14 vertical mount bolts.

Note - the front upper nut is captive.

The rear upper nut is loose. The OE rear M14 bolt will now be used for the front mounting point.

- Using the stands, Lower diff down slowly.



- Slide supplied steel spacer 65mm OD x 20mm in front mount using OE M14 mounting bolt (originally came from rear).

Don't tighten just yet.

Steel spacer 65mm x 20mm thick

OE washer - bolt up with M14 OE bolt

Refer Page 3

It is recommended that a licenced workshop or tradesperson carry out the above procedure and that workshop manual and relevant safety procedures are followed in addition to the above.

Install Guide

Front Differential - Drop Kit

This instruction sheet should be used in conjunction with the workshop manual and proper safety procedures followed.



OE nut (bolt up with supplied M14 bolt)

- Slide 2nd steel spacer 65mm x 20mm in rear mount. Use supplied M14 x 140mm bolt with supplied spring washer (and large OE washer).

Don't tighten just yet.

Steel spacer 65mm OD x 20mm

- Bolt up side mount diff control arm. Torque to 50 ft-lbs.
- Torque both M14 vertical bolts to 135 ft-lbs.

Refer Page 4



It is recommended that a licenced workshop or tradesperson carry out the above procedure and that workshop manual and relevant safety procedures are followed in addition to the above.

Install Guide

Front Differential - Drop Kit

This instruction sheet should be used in conjunction with the workshop manual and proper safety procedures followed.



- Bolt up new diff-drop bracket using supplied M12 x 75mm bolts (x4)

- Proceed to re-fit rear plastic tray.

Use large nylon spacer 70mm x 22mm thick for rear centre point
- refer RH image.

- Bolt up with supplied M8 x40mm bolts with flat washer & spring washer.

Refer Page 5



It is recommended that a licenced workshop or tradesperson carry out the above procedure and that workshop manual and relevant safety procedures are followed in addition to the above.

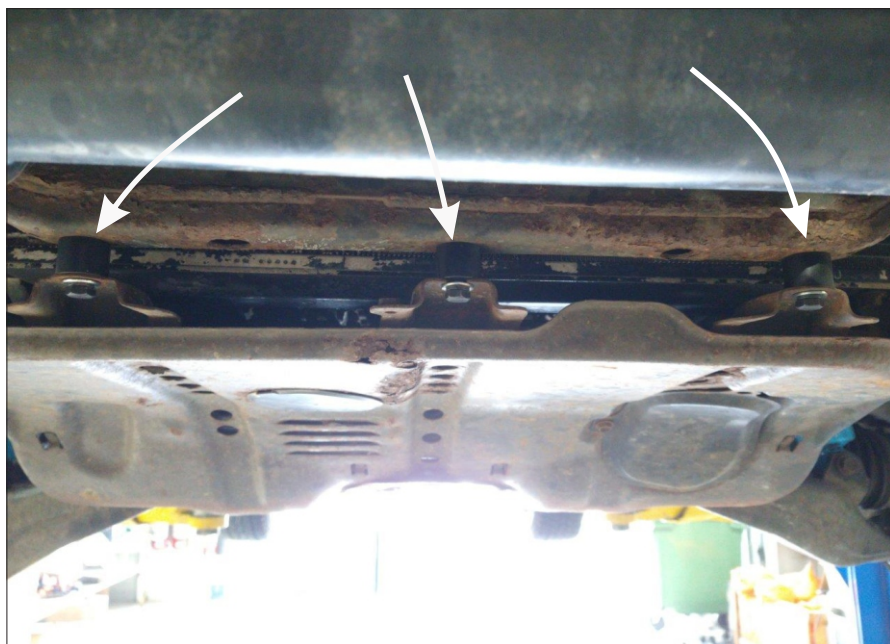
Install Guide

Front Differential - Drop Kit

This instruction sheet should be used in conjunction with the workshop manual and proper safety procedures followed.

- Bolt up front steel bash plate
Place the supplied 3 small steel spacers on the front bolt points - refer RH image.

Again - use the supplied M8x40mm bolts and washers.



- Use the supplied 2 smaller nylon spacers for both sides of bash plate.

Bolt up with supplied M8 bolts and washers.

- Road-test vehicle.
- Re-check all bolts after 100kms.

It is recommended that a licenced workshop or tradesperson carry out the above procedure and that workshop manual and relevant safety procedures are followed in addition to the above.