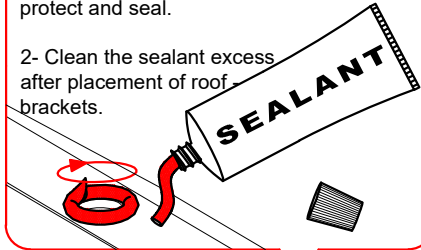


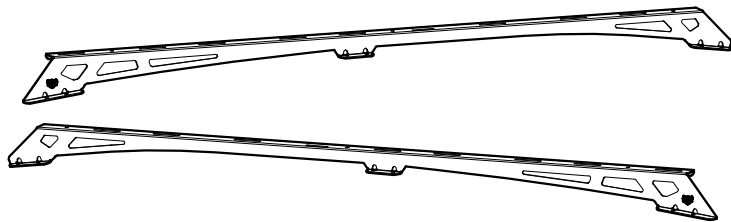
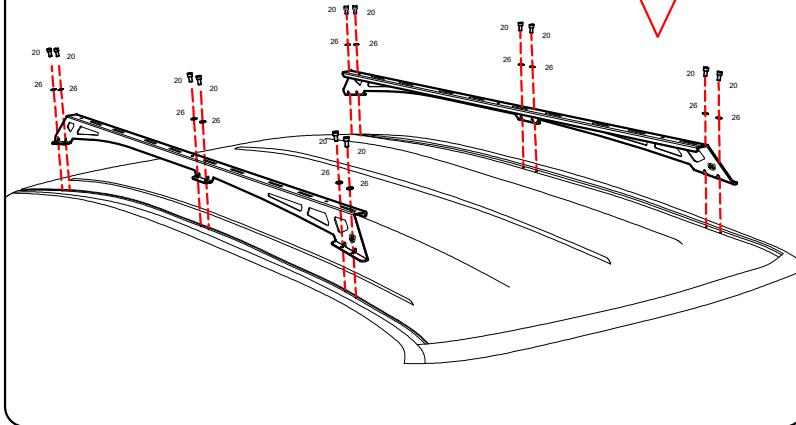
Fit side under rails with Alen cap M8 in original holes and tighten.

1- Use SEALANT around all roof holes before place brackets to protect and seal.

2- Clean the sealant excess after placement of roof brackets.



- 20 M8 X 16 Alen Cap X12
- 26 M8 Washer X12



TMX RR 012 103299 LH - RH

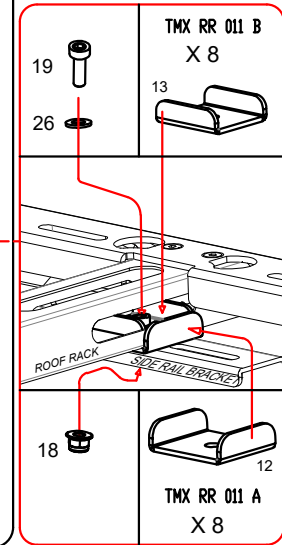
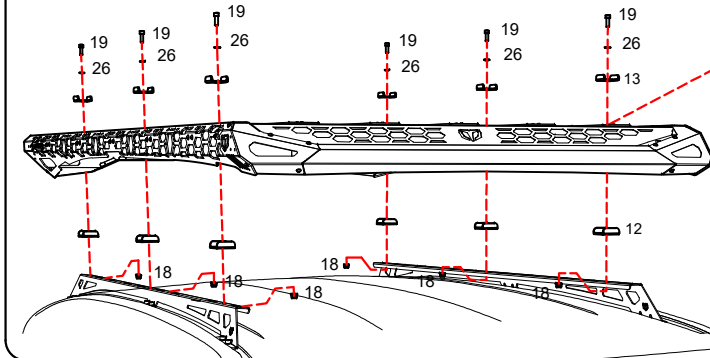
## TOYOTA FJ CRUISER 103300



### TMX RR 103299 BRACKET BOLT KIT

Item N°	Part	Description	Qty
18	M8 1.25 flange nylock nut		6
19	M8 1.25 X 25 ALEN CAP		6
26	M8 washer		18
20	M8 1.25 x 16 ALEN CAP		12

- 19 M8 X 25 Alen Cap X6
- 26 M8 Washer X6
- 18 M8 Nylock Flange nut X6



Tighten all M8 Allen cap bolts and M8 nuts using 6mm Allen key and 13mm Wrench.



**DONE!**

