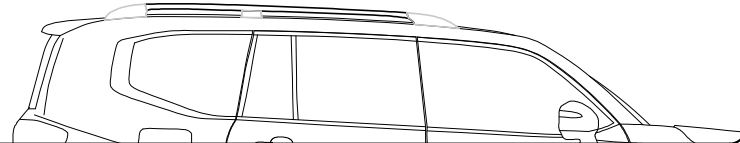
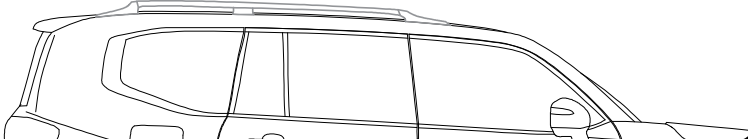
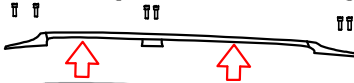


Remove the original rails covers whit care.



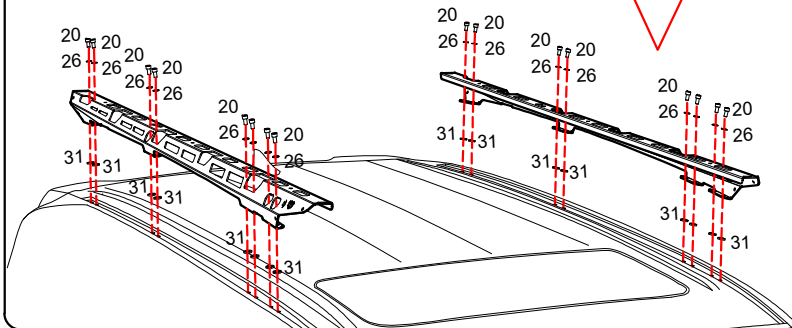
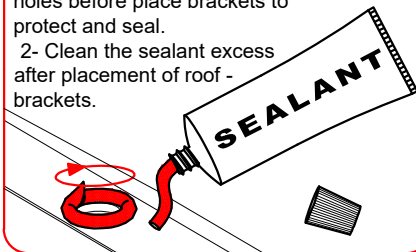
Remove the original bolts and original rails racks.



Fit side under rails with Alen cap M8 in original holes and tighten.

- 20 M8 X 25 Alen cap. X16
- 26 M8 Washer X16
- 31 Laser cut Spacers X16

1- Use SEALANT around all roof holes before place brackets to protect and seal.  
2- Clean the sealant excess after placement of roof - brackets.



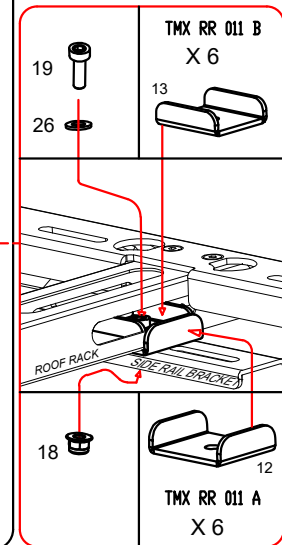
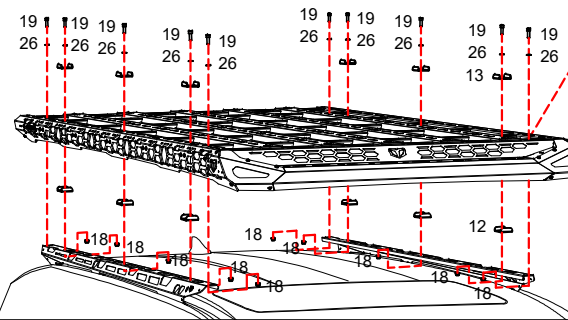
TOYOTA LC 300  
103710



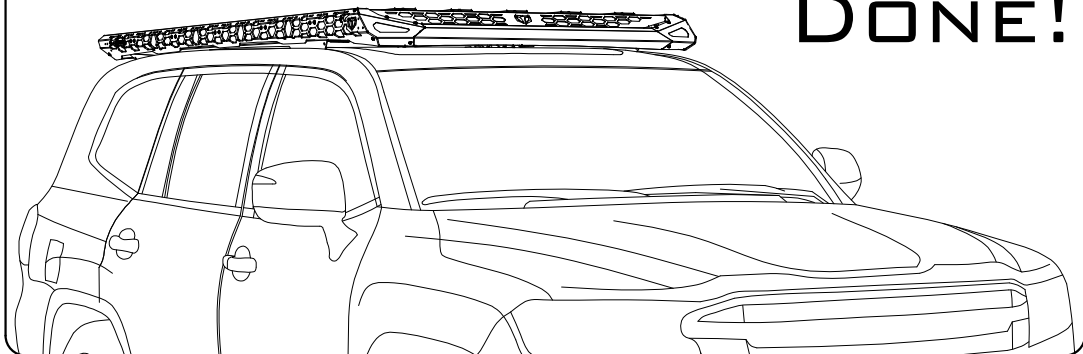
TMX RR 103709 BRACKET BOLT KIT

| Item N° | Part                      | Description | Qty |
|---------|---------------------------|-------------|-----|
| 18      | M8 1.25 flange nylock nut |             | 10  |
| 19      | M8 1.25 X 25 Alen cap     |             | 36  |
| 26      | M8 washer                 |             | 36  |
| 31      | Laser cut Spacers 3mm     |             | 16  |

- 19 M8 X 25 Alen Cap X 10
- 26 M8 Washer X 10
- 18 M8 Nylock Flange nut X 10



Tighten all M8 Allen cap bolts and M8 nuts using 6mm Allen key and 13mm Wrench.



**DONE!**