

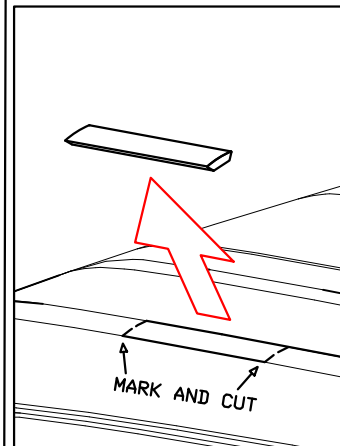


TRAIL MAX
ROOF RACK

104071

INJECTED MOUNTING BRACKET SYSTEM

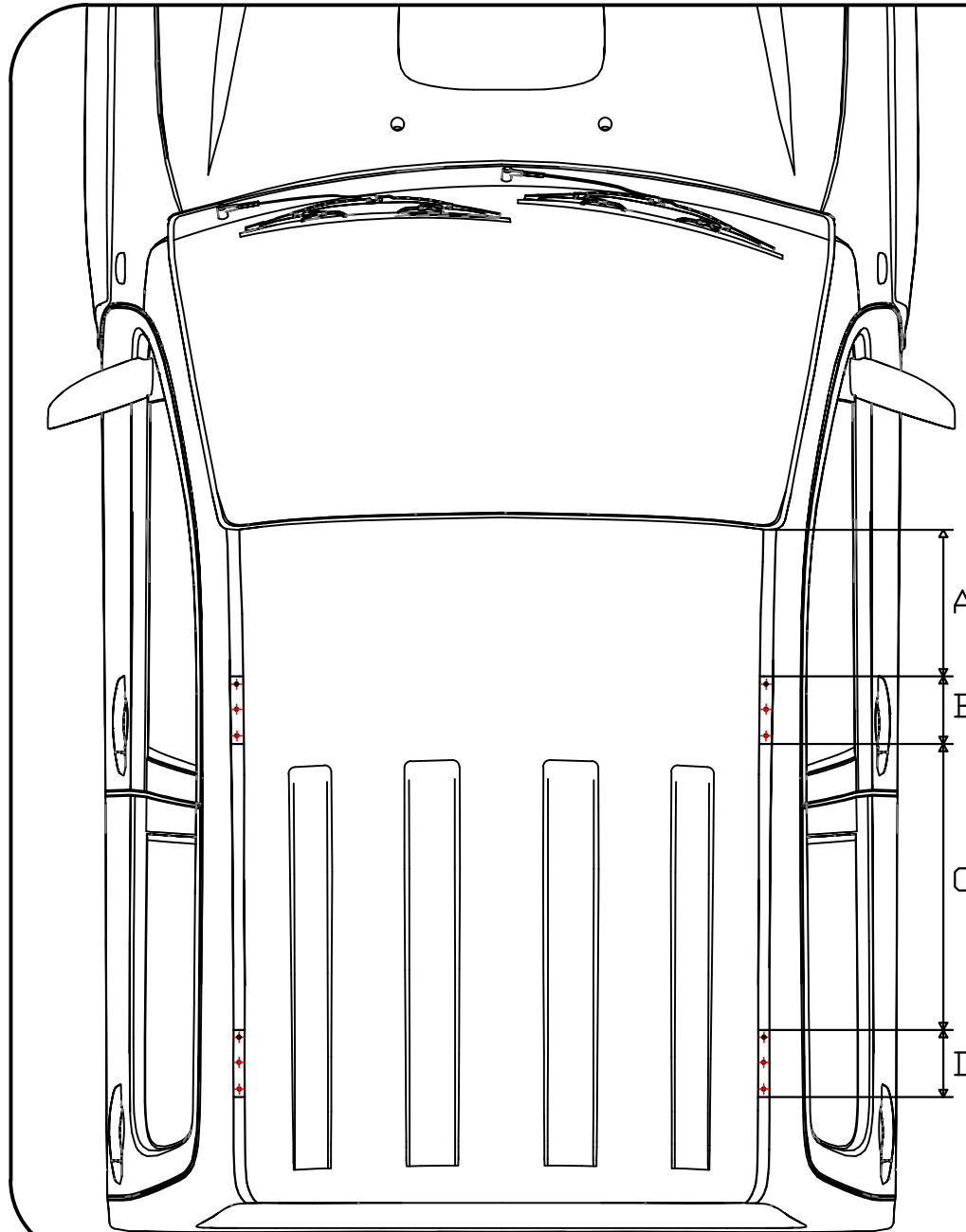
V. Model	Length				Part N° 14 Car reference
	A	B	C	D	
HILUX 05+	410	150	630	150	TMX 000212
HILUX 15+	405	150	630	145	TMX 000213
RANGER	383	145	635	145	TMX 000212
NP 300	405	145	635	145	TMX 000212
D MAX					
HILUX 21+	430	150	630	150	TMX 000213



Position brackets using measurements from previous table.

Cut crossing the rubber over the ditch ensuring you do not damage painted vehicle surface, then remove sections "B" and "D" to fit item 14.

Inspect for paint scratch and fill with anti-corrosive spray paint.



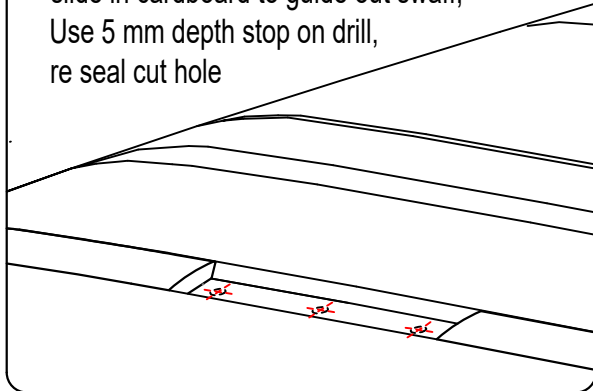


ADVERTISEMENT

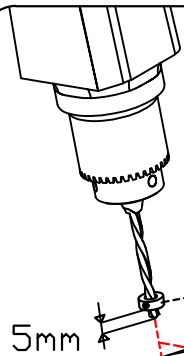


Position brackets using measurements from previous page table. mark hole positions accurately

Inspect under to assure side airbag clearance, slide in cardboard to guide out swaff, Use 5 mm depth stop on drill, re seal cut hole



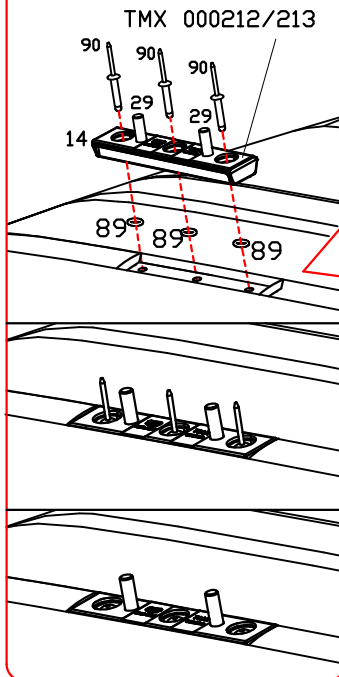
Do not drill or damage side airbag. It is the responsibility of the installer to ensure airbag is not damaged during or after installation.



Drill depth stop

5mm

Please ensure you install bolts (item "22") before rivoting on brackets.



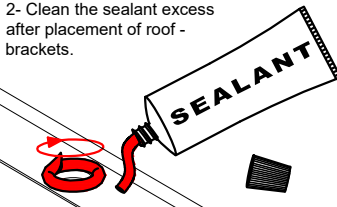
TRAIL MAX

ROOF RACK

104071

INJECTED MOUNTING BRACKET SYSTEM

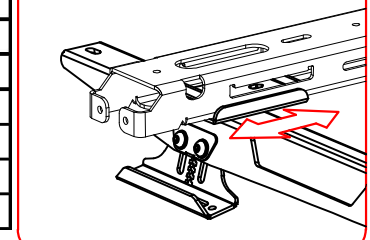
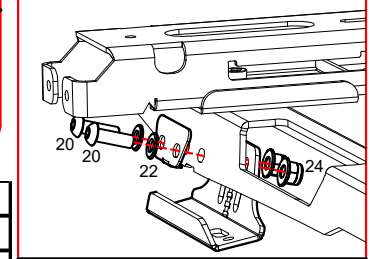
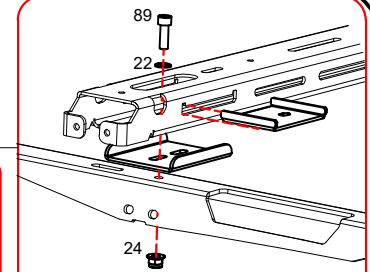
1- Use SEALANT around all roof holes before place brackets to protect and seal.
2- Clean the sealant excess after placement of roof - brackets.



TMX 000213



TMX 000212



TMX RR 104045 BOLT KIT

ITEM N°	PART	DESCRIPTION	QTY
24	M8 1,25 flange nylock nut		24
61	O'ring 5mm inner		12
90	Pop rivet 5 x 25		12
20	M8 1,25 x 20 Alen bolt		8
29	M8 1,25 x 25 Hex bolt		8
22	Washer M8		24
89	Allen Cap M8 x 35		8

