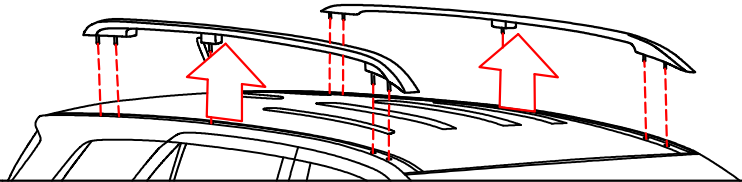


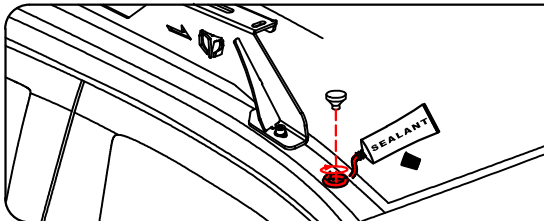
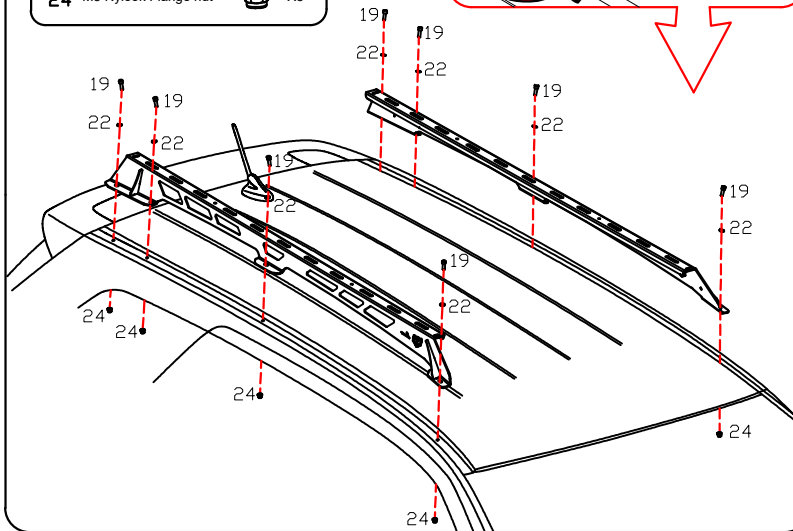
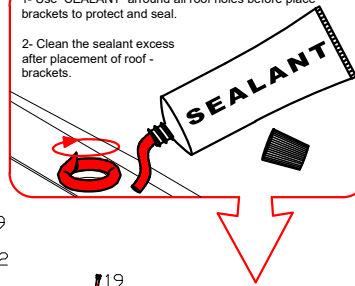
Remove 10 nuts from under roof to uninstall original rails.



Fit side under rails with Allen cap M8 in original holes and tighten.

- 19 M8 X 25 Allen Cap X8
- 22 M8 Washer X8
- 24 M8 Nylock Flange nut X8

- 1- Use SEALANT around all roof holes before place brackets to protect and seal.
- 2- Clean the sealant excess after placement of roof - brackets.



- 1- Clean the surface with alcohol.
- 2- Use sealant around the hole before place the rubber pin.

Front

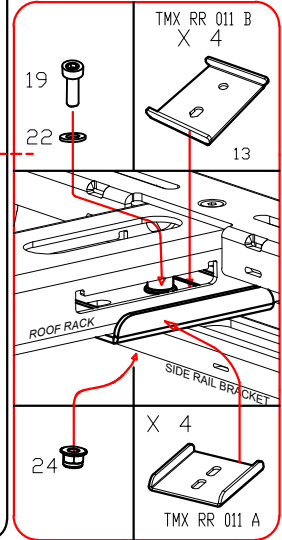
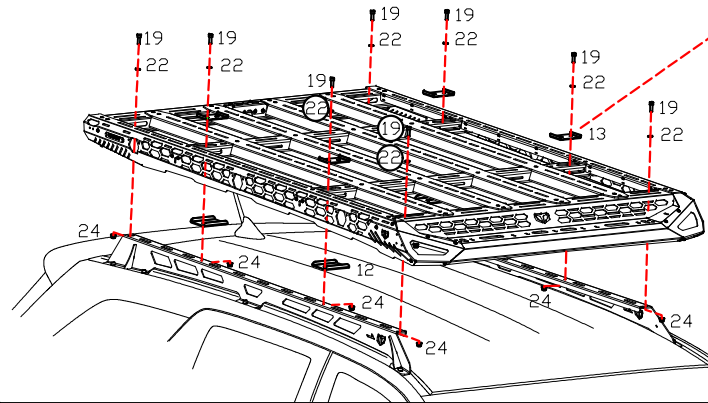
FORD EVEREST 104093



TMX RR 104067 BRACKET BOLT KIT

Item N°	Part	Description	Qty
24	M8 1,25 flange nylock nut		16
19	M8 1.25 X 25 Allen cap		16
22	M8 washer		16

- 19 M8 X 25 Allen Cap X8
- 22 M8 Washer X8
- 24 M8 Nylock Flange nut X8



Tighten all M8 Allen cap bolts and M8 nuts using 6mm Allen key and 13mm Wrench.



DONE!

