

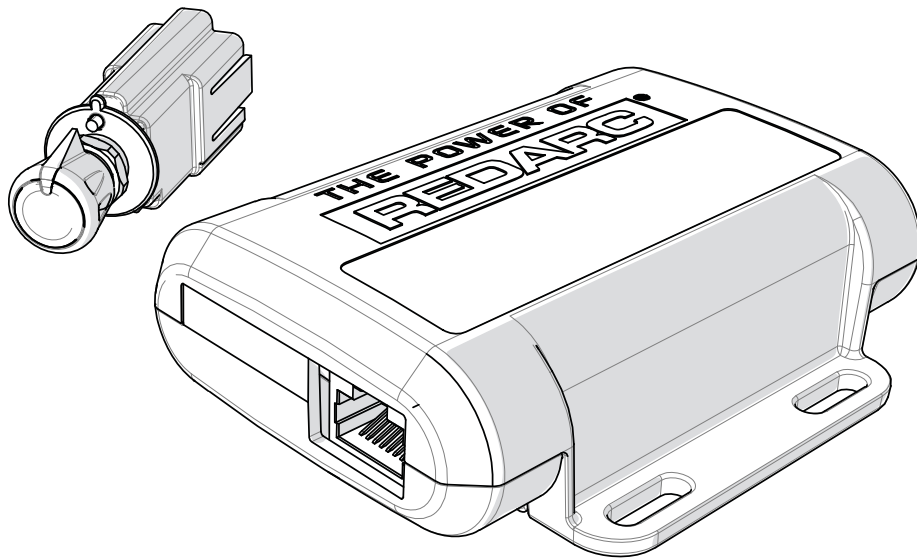
THE POWER OF

REDARC®

Tow-Pro™

Classic

Trailer Brake Controller



AL-KO ESC &
DEXTER DSC
APPROVED

TOW-PRO™ CLASSIC (EBRHV2) TRAILER BRAKE CONTROLLER

The Tow-Pro™ Classic is an electric trailer brake controller designed to suit most common trailer braking applications whilst requiring minimal dash space and being simple to install and operate.

The unit is able to operate both electric and electric/hydraulic trailer brakes and will operate without the need for manual selection or extra components/ wiring.

WARNINGS & SAFETY INSTRUCTIONS

SAVE THESE INSTRUCTIONS - This manual contains IMPORTANT SAFETY INSTRUCTIONS for the Tow-Pro™ Classic Brake Controller.

DO NOT OPERATE THE CONTROLLER UNLESS YOU HAVE READ AND UNDERSTOOD THIS MANUAL AND THE CONTROLLER IS INSTALLED AS PER THESE INSTALLATION INSTRUCTIONS.

⚠ WARNING

ENSURE THAT YOUR TRAILER BRAKES ARE INSTALLED AND ARE OPERATING CORRECTLY: IMPROPERLY INSTALLED AND/OR FAULTY TRAILER BRAKES CAN CAUSE ERRATIC VEHICLE OR TRAILER BEHAVIOUR WITH THE POTENTIAL TO CAUSE A ROAD ACCIDENT. FOR THIS REASON, IT IS OF UTMOST IMPORTANCE THAT YOUR TRAILER BRAKING SYSTEM BE INSTALLED/ MAINTAINED BY A QUALIFIED INSTALLER.

ALWAYS CHECK BRAKES AT LOW SPEED EACH TIME A TRAILER IS ATTACHED TO YOUR VEHICLE.

⚠ CAUTION

2. Ensure that the Tow-Pro™ Classic is installed inside the vehicle and away from any environmental conditions that may cause damage, including submersion in water, salt spray and humidity. Contact with these conditions can cause damage to the unit's circuitry and may cause erratic trailer braking.
3. Fuses or Circuit breakers of appropriate rating must be installed to protect the vehicle system. Please refer to the installation instructions on page 6 for specific instructions on where to install Fuses or Circuit Breakers and for appropriate Fuse or Circuit Breaker ratings. Fuses must be installed as close as possible to the battery.
4. Ensure that the cable used to install the Tow-Pro™ Classic is of adequate thickness to supply the required current to operate the trailer brakes. Incorrect wiring can result in overheated wires or excessive voltage drop and may cause injury to persons, damage to the Tow-Pro™ Classic and/or damage to property.

WARNINGS & SAFETY INSTRUCTIONS

5. The Tow-Pro™ Classic is suitable for all trailers with electric brakes on up to three axles. Note that for trailers above 4.5t gross, special testing is required under Australian Design Rules. For these trailers, please consult with an automotive safety engineer before using the Tow-Pro™ Classic.
6. Ensure that the Tow-Pro™ Classic Remote Head is not mounted in vehicle head-impact zones. Doing so may result in injury to the driver and/or passenger in the result of an accident.

NOTICE

1. Ensure that a correct grounding point is used. Vehicles often have ungrounded metal reinforcements under the dash and these points are not suitable grounds. Bad grounding of the unit will result in poor or no operation.
2. The Tow-Pro™ Classic does not act as a trailer lights voltage converter. The Tow-Pro™ Classic is designed to operate the trailer brake lights under certain conditions. If the trailer brake lights require a different voltage to the input from the vehicle damage to the trailer brake lights may result.
3. When installing the Tow-Pro™ Classic Remote Controls to a thin panel, washers are recommended to reinforce the structure of the panel.
4. Do NOT exceed Tow Vehicle and Trailer weights and specifications. Failure to abide by the towing regulations, including maximum loads, may result in a fine, or in case of an accident, refusal of the insurance claim, and the possibility of further legal action. If the tow vehicle or trailer's maximum load is exceeded, police and transport authorities have the power to order the combination off the road until the issue is corrected. This may necessitate leaving the trailer on the side of the road while a vehicle with suitable towing capacity is sourced or the trailer load is reduced. Please contact your local authorities for further information.

CONTENTS

Table of Contents	Page
Contents	03
1 Specifications	03
2 Installation	05
2.1 Mounting the main unit	05
2.2 Wiring the brake controller	06
2.3 Mounting the remote head	07
3 Operation	09
3.1 Operating Modes	09
3.2 Manual Override	11
3.3 Electric/Hydraulic Brakes	11
3.4 Visual User Guide	12
3.5 LED Indication	13
3.6 Troubleshooting	13
4 Periodic Maintenance/Checks	16
5 Frequently Asked Questions	17
6 Warranty	18

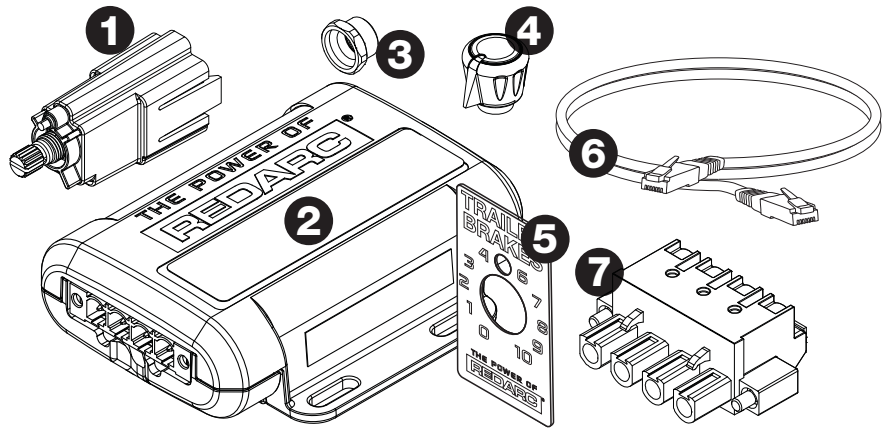
SPECIFICATIONS

Part Number	EBRHV2
Nominal Input System Voltage	12V
Operating Voltage	9V - 16V
Brake Input Signal Voltage	OFF: 0V ON: 12V nominal
Brake Coil Voltage	12V
Max. Trailer Axles	3 Axles
Nominal Current Draw	18A
Max. Rated Current	25A
Standby Current	<10mA
Operating Temp	-20°C - 60°C
Weight	200g
Warranty	2 years

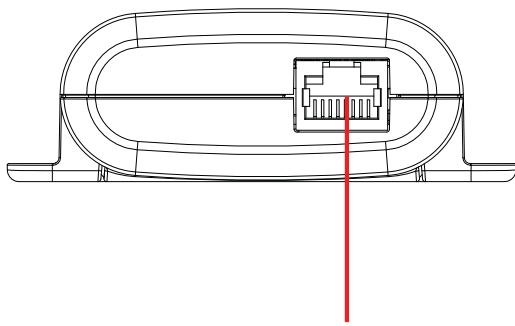
1 SPECIFICATIONS

Kit Contents

1. Remote Head Assembly
2. Main Unit
3. Remote Head Nut
4. Remote Head Knob
5. Remote Head Decal
6. RJ45 Remote Head Cable (1m)
7. Molex Connector

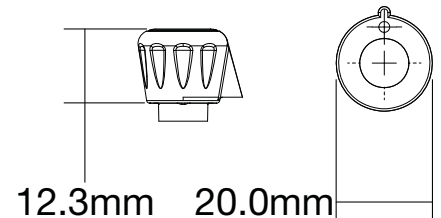
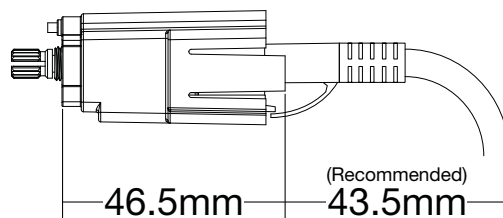
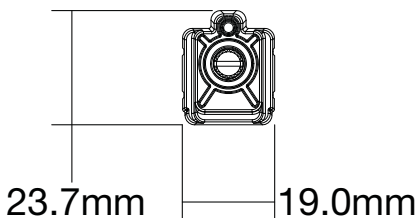
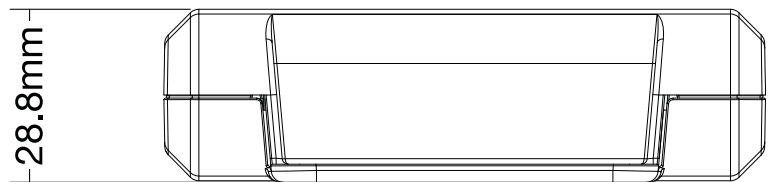
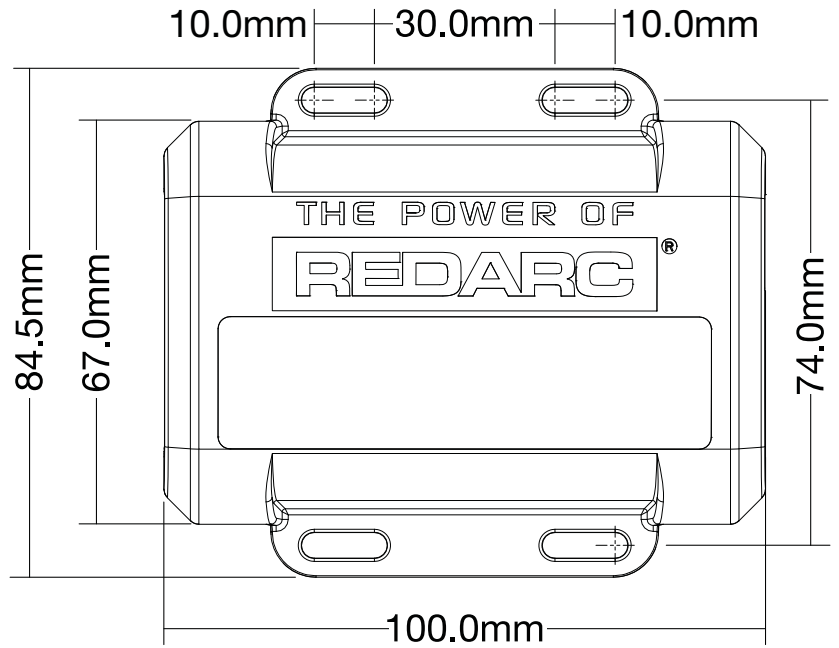
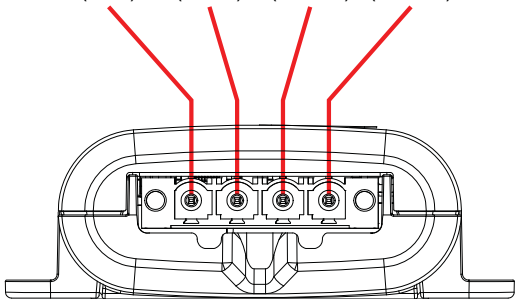


Dimensions & Connection



Remote Head Connection

Brake Lights (RED) Brake Output (BLUE) Ground/Earth (WHITE) Input Power (BLACK)



2 INSTALLATION

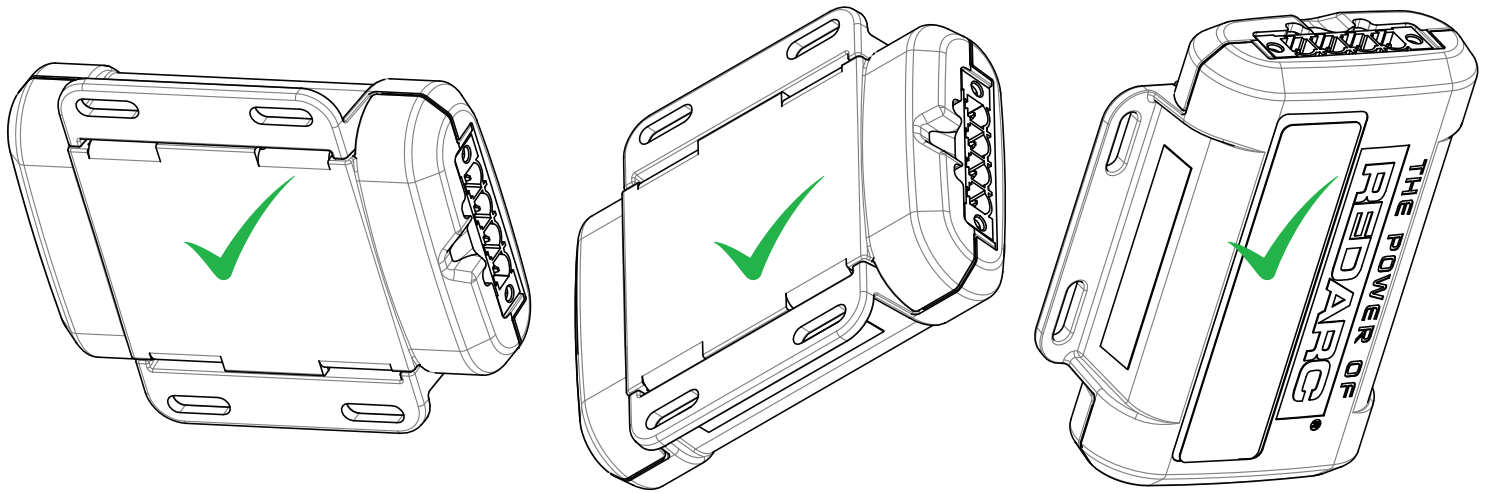
2.1 Mounting the main unit

The Tow-Pro™ Classic should be mounted inside the vehicle using either M4 screws or other secure fitting methods at the mounting points provided. It is recommended to mount the unit in a location which allows access to the intended remote head location.

⚠ CAUTION

The Tow-Pro™ Classic can be mounted in any orientation

Ensure that the Tow-Pro™ Classic is installed inside the vehicle and away from any environmental conditions that may cause damage, including submersion in water, salt spray and humidity. Contact with these conditions can cause damage to the unit's circuitry and may cause erratic trailer braking.



Any Secure Orientation OK

2 INSTALLATION

2.2 Wiring the brake controller

NOTE: Always refer to vehicle manufacturer specifications regarding the correct connection point for the brake light signal (RED) wire.

⚠ CAUTION

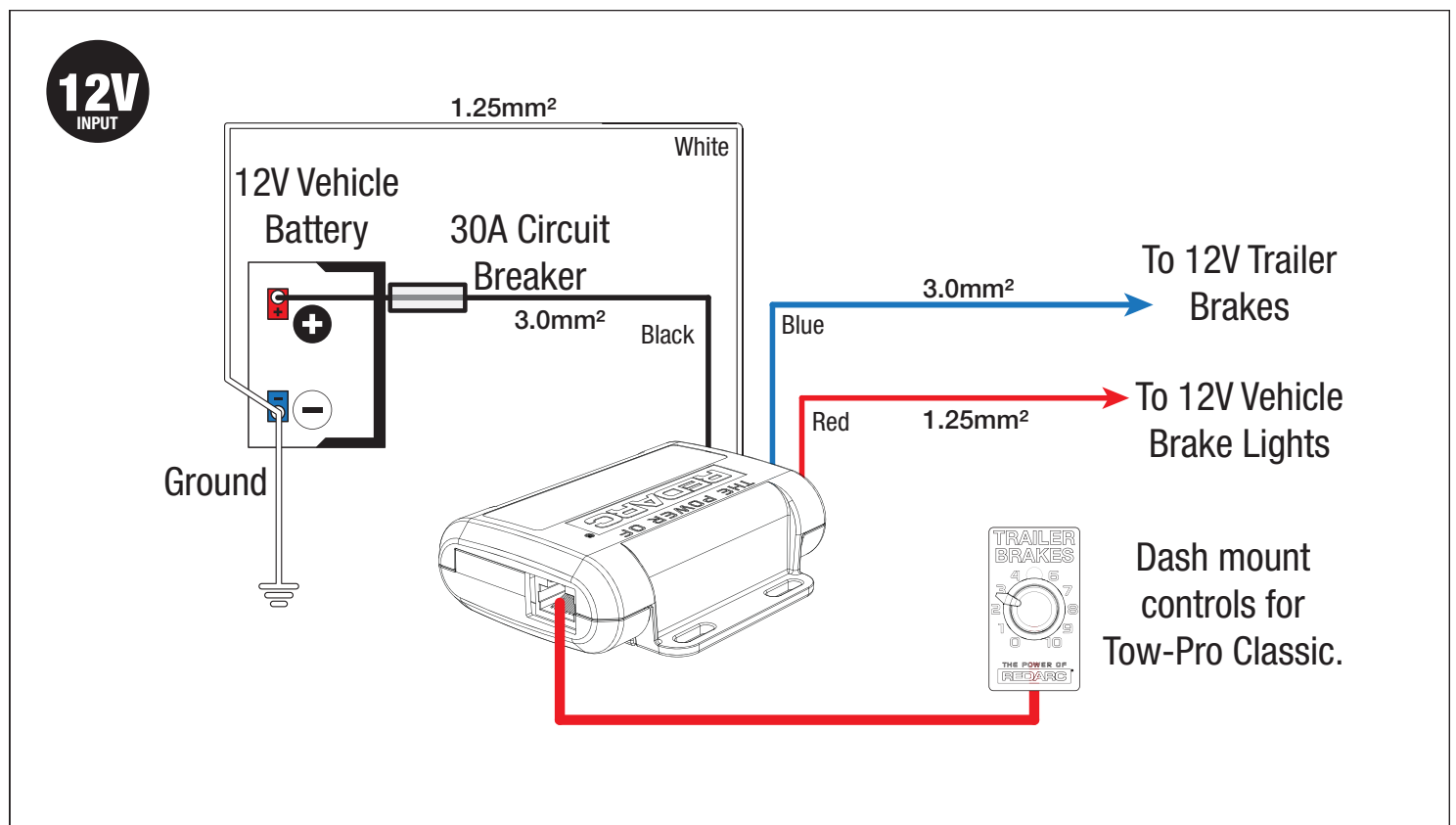
Fuses or Circuit breakers of appropriate rating must be installed to protect the vehicle system. Please refer to the installation instructions in this section for specific instructions on where to install Fuses or Circuit breakers and for appropriate Fuse or Circuit Breaker ratings. Fuses must be installed as close as possible to the battery.

⚠ CAUTION

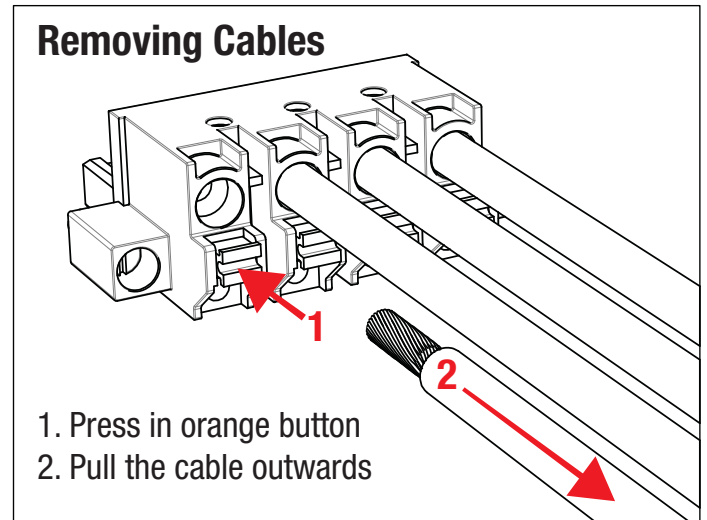
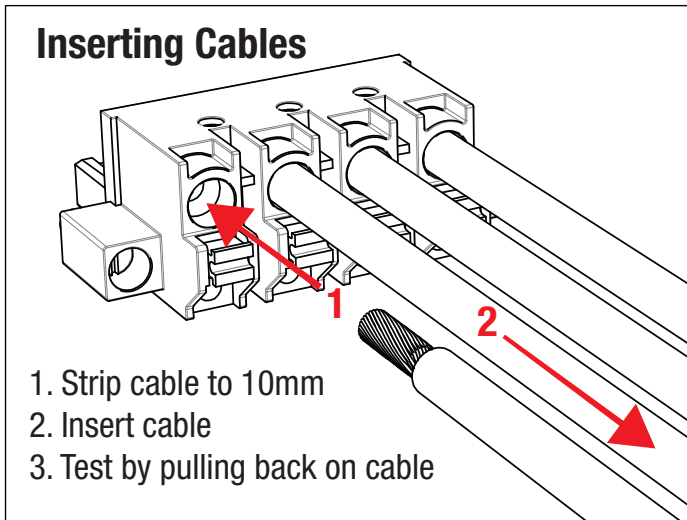
Ensure that the cable used to install the Tow-Pro™ Classic is of adequate thickness to supply the required current to operate the trailer brakes. Incorrect wiring can result in overheated wires and may cause injury to persons, damage to the Tow-Pro™ Classic and/or damage to property.

NOTICE

The Tow-Pro™ Classic does not act as a trailer lights voltage converter. The Tow-Pro™ Classic is designed to operate the trailer brake lights under certain conditions. If the trailer brake lights require a different voltage to the input from the vehicle damage to the trailer brake lights may result.



2 INSTALLATION

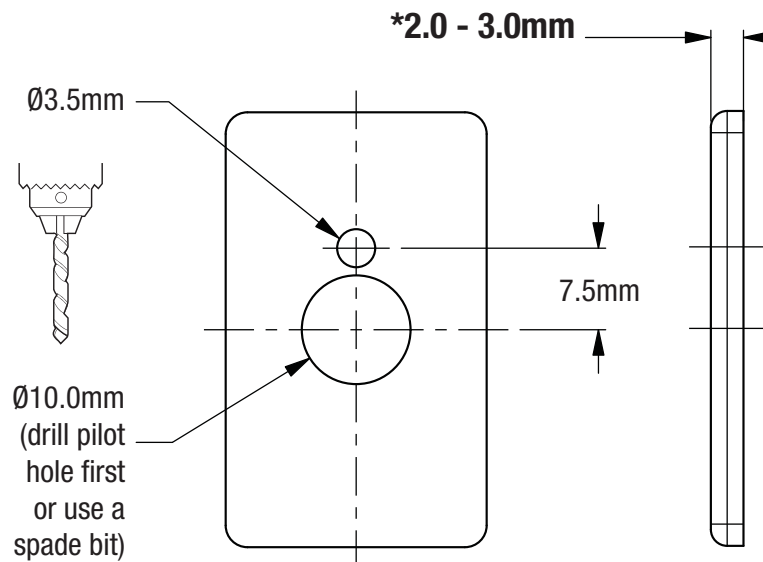


2.3 Mounting the remote head

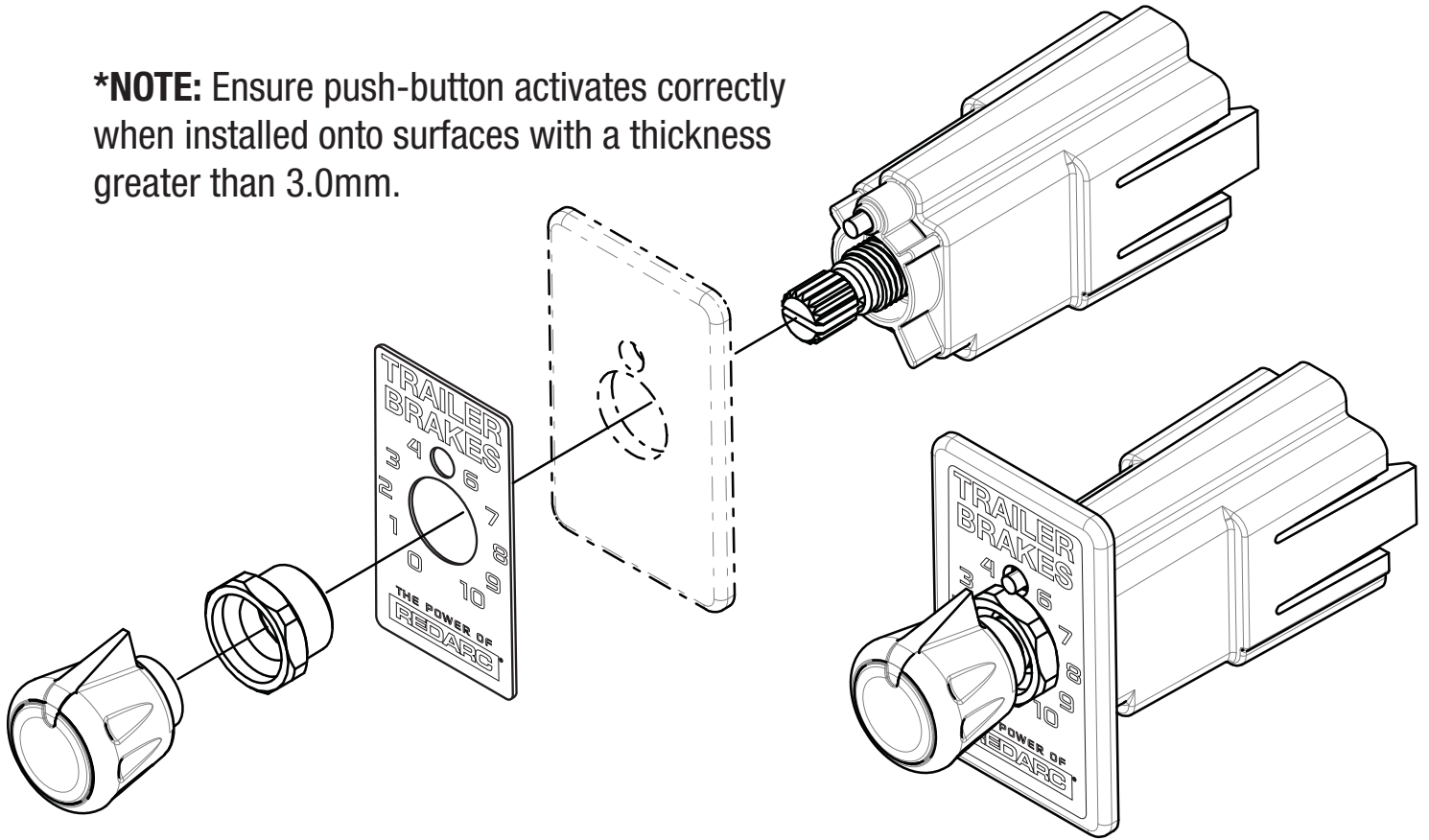
The Tow-Pro™ Classic remote head is designed to be mounted at a distance from the main unit, allowing for a neat, convenient installation and not impeding on lower leg airbags or driver leg room. The Tow-Pro™ Classic remote head is designed to be mounted on or around the vehicle dashboard but should not be mounted in vehicle head impact zones. The Tow-Pro™ Classic remote head can be mounted directly to the dashboard, to the centre console or through a spare knock-out switch panel and requires only two holes to be drilled as per the below diagram.

⚠ CAUTION

Ensure that the Tow-Pro™ Classic Remote Head is not mounted in vehicle head-impact zones. Doing so may result in injury to the driver and/or passenger in the result of an accident.

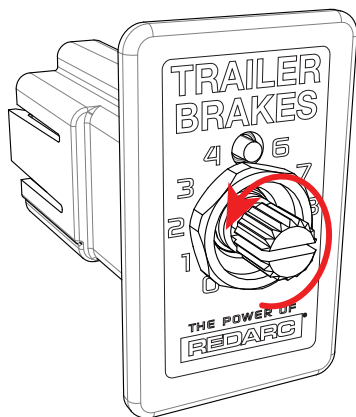


***NOTE:** Ensure push-button activates correctly when installed onto surfaces with a thickness greater than 3.0mm.

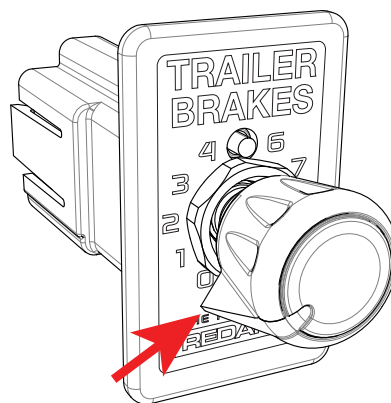


Applying the Knob

Turn shaft fully anti-clockwise



Apply knob with '0' aligned with the level marker on the bezel.



3 OPERATION

3.1 Operation

The Tow-Pro™ Classic offers a single mode of operation - ***User Controlled***.

NOTE: It is important to consider the road surface and conditions - When changing conditions we advise to review your controller settings and adjust according to your preference.

The Tow-Pro™ Classic will apply the trailer brakes to the level set by the user on the gain control knob. The gain control level, 0 to 10, will set the brakes from Zero trailer braking to Full trailer brake application.

The braking level can be adjusted to suit varying trailer loads, braking requirements or user comfort by adjusting the gain control knob on the remote head. The lower end of the scale, below level 5, should be used as a starting point and adjusted accordingly once braking requirements are established.

Should a lighter braking level be required, turning the gain control knob to a lower number will reduce the trailer braking force. Similarly, turning the gain control knob to a higher number will increase the trailer braking force.

The braking level will be indicated by the LED changing to a shade of RED when the brakes are applied. The higher the braking level, the more RED the LED will glow.

3.2 Manual Override

Pressing the gain control knob whilst driving will apply the manual override brake. The manual override brake will apply the trailer brakes only and will also apply the trailer brake lights and will turn the LED indicator a shade of RED. The manual override is designed to be used when the trailer brakes need to be applied without the vehicle brakes, such as correcting trailer 'sway' whilst travelling.

The manual override will apply the trailer brakes to the level set on the gain control knob. The braking force can be adjusted by turning the gain control knob, either higher or lower, whilst applying the manual override brakes.

3.3 Electric / Hydraulic Brakes

The Tow-Pro™ Classic is designed to operate both electric and electric/hydraulic braking systems.

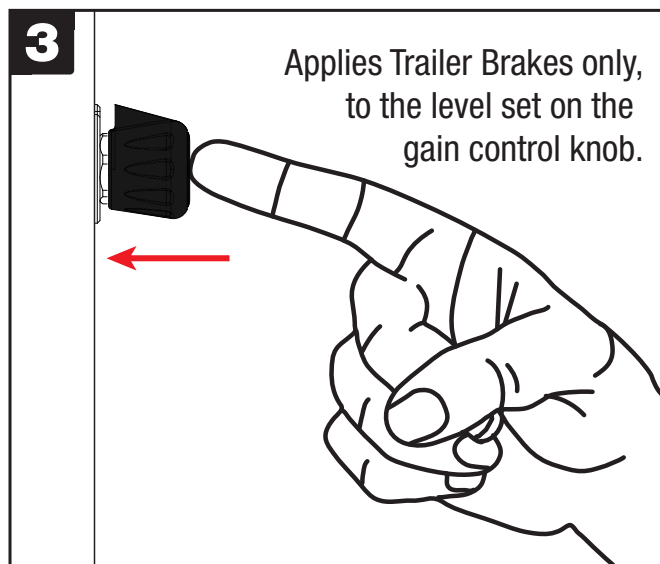
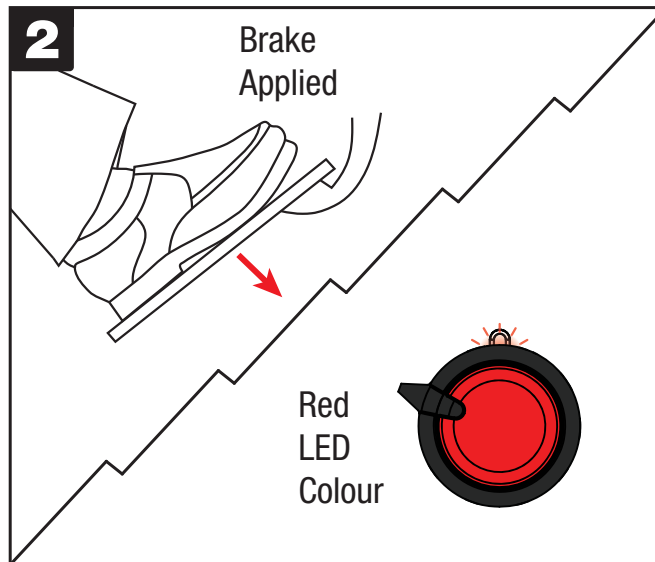
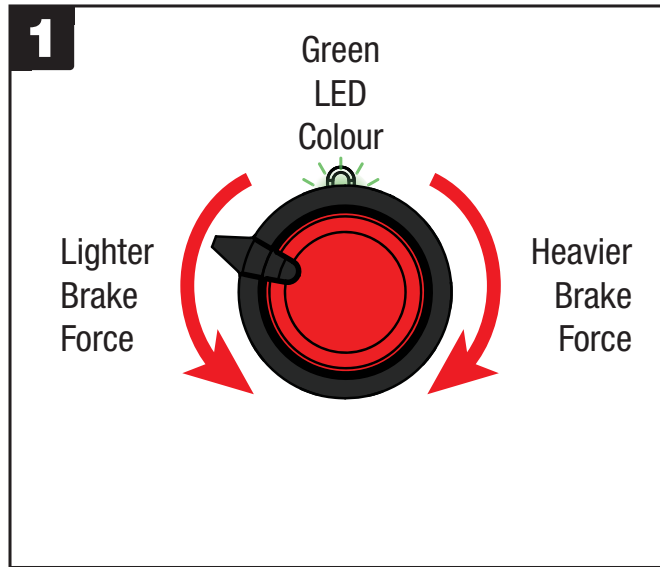
The unit requires no user input to select the electric/hydraulic mode.

The Tow-Pro™ Classic is not suitable for electric/hydraulic systems which only operate from their own dedicated brake control system.

NOTE: Always refer to manufacturer specifications for your Electric / Hydraulic Braking system prior to installation and usage of the Tow-Pro™ Classic. Most Electric / Hydraulic braking systems will require a separate 12V power feed for the hydraulic pump.

3.4 Visual User Guide

User Controlled Mode



3 OPERATION

3.5 LED Indication

The Tow-Pro™ Classic will indicate both Mode and Fault Condition through colour and flash sequences of the LED indicator. The table below shows how the Tow-Pro™ Classic will indicate Normal Operation of the unit.

NOTE: LEDs will glow full brightness when gain control is adjusted or manual override is pressed. After release of the gain control knob the LED brightness will reduce. This is designed to be less intrusive on driver's vision at night.

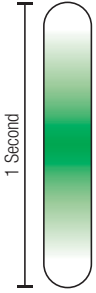
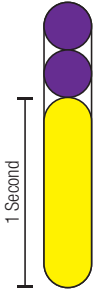
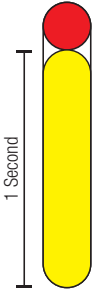
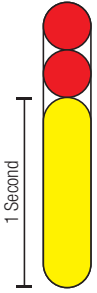
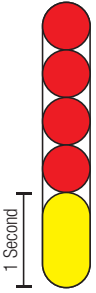
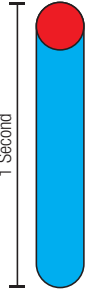
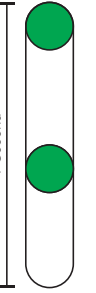
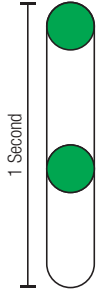
Status	Indication
Sleep Mode ¹	Green Breathing on button push ²
Trailer Connected	Solid Green
Braking	Green to Red ³

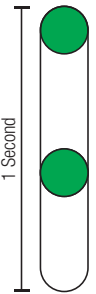

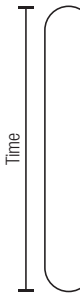

- 1 Sleep Mode occurs when there is no trailer connected to the vehicle.
- 2 Breathing, as opposed to flashing, is the LED gradually getting brighter until its brightest point and then gradually dimming until off.
- 3 The LED will vary between Green and Red depending on the braking force.

3.6 Troubleshooting

The Tow-Pro™ Classic features sophisticated diagnostics to warn the operator of faults in the vehicle and trailer brake wiring. Wiring faults are indicated by a series of colour coded flash patterns on the Tow-Pro™ Classic LED. Even intermittent faults are detected and may be indicated until cleared. The warning code can be cleared by unplugging the trailer for 1 minute then reconnecting. A fault indication should not be ignored though, as it is a warning & if left unattended, such wiring faults can become worse and may lead to deterioration or loss of trailer braking.

Please refer to the table on pages 14 & 15 for the list of flash patterns, showing the cause & recommended course of action for each of the conditions that may be detected.

LED Sequence	Symptom/Description	Possible Cause	Suggested Action
	<p>GREEN Breathing when the Override button is pushed</p>	<p>The trailer brakes have not been detected</p>	<p>Check the trailer plug and all connections to the brake controller.</p>
	<p>The LED is YELLOW and flashes PURPLE twice</p>	<p>There is a fault with the unit and/or the installation.</p>	<p>Please contact REDARC or visit your local auto-electrician for further assistance</p>
	<p>The LED is YELLOW and flashes RED once</p>	<p>There is a short circuit somewhere on the brake output line (BLUE wire)</p>	<p>Check all wiring from the unit to the trailer brakes for any wiring faults, including at trailer plug</p>
	<p>The LED is YELLOW and flashes RED twice</p>	<p>There is a short circuit somewhere on the brake light circuit (RED wire)</p>	<p>Check all wiring from the unit to the brake light trigger for any wiring faults</p>
	<p>The LED is YELLOW and flashes RED four times</p>	<p>There is a break/open circuit somewhere along the Ground circuit (WHITE wire)</p>	<p>Check all ground connections and associated wiring for any wiring faults</p>
	<p>The LED is BLUE and flashes RED once a second</p>	<p>The unit has detected that the Remote Cable is faulty</p>	<p>Check the Remote cable is fully plugged in, otherwise replace</p>
	<p>The LED is flashing GREEN</p>	<p>The power supply to the unit is not stable.</p>	<p>Check the BLACK and WHITE wires for loose connections</p>
	<p>The LED is flashing GREEN only whilst braking</p>	<p>Loss of supply power or Circuit Breaker cycling</p>	<p>Check supply (BLACK) wire for connection problems and check circuit breaker/fuse is not blown and is the correct value</p>

LED Sequence	Symptom/Description	Possible Cause	Suggested Action
	<p>The LED is flashing GREEN at any time or only when not braking</p>	<p>Low continuous voltage on brake light (RED) wire</p>	<p>Check that RED wire is connected to a point that is 0V when the brakes are off and 12V with the brakes applied</p>
	<p>The LED flashes an unusual colour sequence randomly whilst braking</p>	<p>There is a short circuit on the output (BLUE) wire or the circuit breaker is overloaded</p>	<p>Check for short circuit on brake light (RED) circuit</p> <p>Check for short circuit on trailer brake (BLUE) circuit, including moving brake swing arms</p> <p>Check that no other devices are running from the same circuit breaker as the Tow-Pro Classic</p>
	<p>LED only lights up when braking and brake light fuse may have blown</p>	<p>The power wire is most likely not connected</p>	<p>Check supply (BLACK) wire for connection problems and check circuit breaker/fuse is not blown</p>
	<p>The LED is not working at all</p>	<p>There is a bad connection to the trailer</p>	<p>Check the trailer wiring as the unit is not recognising that a trailer is connected.</p>

⚠ WARNING

Ensure that your trailer brakes are installed and are operating correctly: Improperly installed and/or faulty trailer brakes can cause erratic vehicle or trailer behaviour with the potential to cause a road accident. For this reason, it is of utmost importance that your trailer braking system be installed/maintained by a qualified installer.

Always check brakes at low speed each time a trailer is attached to your vehicle.

Immediately After Installation (To be done by a qualified Auto-Electrician)

Test the installation/vehicle wiring. Testing your vehicle wiring is best done by connecting a test light (21W filament globe) to the brake light output, pushing the manual override and having someone check that the vehicle brake lights and the test lamp both light up.

Before each trip

It is important to ensure that your system is operating correctly before you set out. The following should be checked, along with standard mechanical maintenance, each time you attach your trailer:

- Correct brake light operation on both your vehicle and trailer
- Correct operation and setting of the electric brake controller
- Correct operation of your trailer brakes
- Check that your breakaway system is operating correctly and that the breakaway battery is healthy
- Ensure that the tow hitch, and safety chains and weight distribution systems are setup correctly

Periodically

It is important to have a qualified technician check the function of your trailer system on a periodic basis to ensure that everything is operating correctly. Redarc recommend that you visit a qualified technician before the beginning of each holiday season to ensure that any towing aids or systems are working correctly.

Other considerations

Please consider the below items whilst towing a trailer:

- Ensure that your vehicle is capable of towing the trailer
- Ensure that you adjust your driving style to allow more time to change lanes and brake
- Always remember that your electric brake controller is designed to supplement your vehicle brakes; do NOT use the Tow-Pro™ Classic manual override in place of your vehicle foot brake
- Redarc recommend professional towing training before attempting to tow a trailer; companies such as Tow-Ed offer these services

Is the Tow-Pro™ Classic approved to use with the my Electronic Trailer Stability Control system?

The Tow-Pro™ Classic is approved for use with the AL-KO ESC and the Dexter Sway Control systems. Please visit the manufacturers website for more information.

Will it work with electric over hydraulic trailer brakes?

Yes, please see section 3.3 of this manual.

Can it be mounted in any orientation? How do I set the levelling of the main unit?

Yes, the unit can be installed inside the vehicle at any angle, provided it is firmly secured and in a location which allows access to the intended remote head location. Please see sections 2.1 and 2.4 of this manual for more information.

My vehicle has shared tail/brake lights, will the Tow-Pro™ Classic work OK?

Yes, the Tow-Pro™ Classic is designed to operate correctly from both standard and shared tail/brake lights.

Where can I connect the RED wire?

To a 12V (ON)/0V (OFF) switched wire when brake pedal applied, refer to the vehicle manufacturer specifications for the correct location.

My caravan is 2.5 tons fully loaded, is the Tow-Pro™ Classic strong enough to stop that much weight safely?

The controller is capable of supplying 3-axle setups from a 12V input up to the maximum rated braking ability of the brakes. You must also ensure that your trailer brakes are adequate for the trailer load.

Can the remote head cable be extended?

Yes, the remote head cable is a standard RJ45 network cable and can be replaced by an off the shelf cable up to 5m in length. If the cable used is longer than 1m however we recommend using a ferrite bead, such as Jaycar P/N LF1294, clipped onto the cable as close as possible to the main unit.

Can the braking level of the manual over-ride be adjusted?

Yes, the manual override can be adjusted whilst it is being applied by turning the gain control knob. For more information on manual override please see section 3.2 of this manual.

Will my trailer brakes work while I am reversing?

The Tow-Pro™ Classic is designed to apply the trailer brakes whether the vehicle is travelling forward or in reverse. The effectiveness of the brake application in reverse will depend on the mechanical design of your particular electric brake system.

I have a 2 axle trailer, is the Tow-Pro™ Classic suitable for my trailer?

Yes, the Tow-Pro™ Classic is designed to operate up to 3-axle trailers.

I lost the knob/nut/bezel, where can I get one?

The knob, nut or bezel can be purchased as spare parts from Redarc authorised resellers.

6 TWO YEAR PRODUCT WARRANTY

Over the last three decades our company has established a reputation as the power conversion specialist.

A 100% Australian-owned company, we have met the needs of customers in transport and other industries through exciting, innovative thinking.

We believe in total customer satisfaction and practice this by offering our customers:

- Technical advice free of jargon and free of charge
- Prompt turnaround of orders throughout Australia and globally
- Friendly, personalised, professional service and product support

In the unlikely event that a technical issue arises with a Redarc product, customers are encouraged to initially contact the Redarc Technical Support Team on (08) 8322 4848 or power@redarc.com.au for prompt and efficient diagnosis and product support.

Our goods come with guarantees that cannot be excluded under the Australian Consumer Law. You are entitled to a replacement or refund for a major failure and compensation for any other reasonably foreseeable loss or damage. You are also entitled to have the goods repaired or replaced if the goods fail to be of acceptable quality and the failure does not amount to a major failure.

The benefits of this Warranty are in addition to other rights and remedies available at law in respect of the Products and shall not derogate from any applicable mandatory statutory provisions or rights under the Australian Consumer Law.

Redarc Electronics Pty Ltd at the Redarc Trust trading as Redarc Electronics ("**Redarc**") offers a warranty in respect of its Products where the Products are purchased from an authorised distributor or reseller of Redarc by a person ("**Purchaser**"), on the terms and conditions, and for the duration, outlined below in this document ("**Warranty**").

1. In this Warranty, the term **Products** means:
 - 1.1 all products manufactured or supplied by Redarc (excluding its solar products which are covered by Redarc's Solar Product Warranty); and
 - 1.2 any component of or accessory for any product in clause 1.1 manufactured or supplied by Redarc.

Offer and duration of product warranties

2. Redarc warrants that its Products will be free, under normal application, installation, use and service conditions, from defects in materials and workmanship affecting normal use, for **2 years** from the date of purchase (**Warranty Period**).
3. Where a Product malfunctions or becomes inoperative during the Warranty Period, due to a defect in materials or workmanship, as determined by Redarc, then subject to further rights conferred by the Australian Consumer Law on the Purchaser, Redarc will, in exercise of its sole discretion, either:
 - 3.1 repair the defective Product;
 - 3.2 replace the defective Product; or
 - 3.3 provide a refund to the Purchaser for the purchase price paid for the defective Product,without charge to the Purchaser.
4. The warranty given by Redarc in clause 3 covers the reasonable costs of delivery and installation of any repaired or replaced Products or components of Products to the Purchaser's usual residential address notified to Redarc, together with the reasonable costs of removal and return of any Products determined by Redarc to be defective.
5. If the Purchaser incurs expenses of the nature referred to in clause 4 in the context of making a claim pursuant to this Warranty that is accepted by Redarc, the Purchaser will be entitled to claim for reimbursement of those expenses which Redarc determines, in exercise of its sole discretion, to be reasonably incurred, provided that the claim is notified to Redarc in writing at the postal address or email address specified in clause 21 and includes:
 - 5.1 details of the relevant expenses incurred by the Purchaser; and
 - 5.2 proof of the relevant expenses having been incurred by the Purchaser.

Exclusions and limitations

6. This Warranty will not apply to, or include any defect, damage, fault, failure or malfunction of a Product, which Redarc determines, in exercise of its sole discretion, to be due to:
 - 6.1 normal wear and tear or exposure to weather conditions over time;
 - 6.2 accident, misuse, abuse, negligence, vandalism, alteration or modification;
 - 6.3 non-observance of any of the instructions supplied by Redarc, including instructions concerning installation, configuring, connecting, commissioning, use or application of the Product, including without limitation choice of location;
 - 6.4 failure to ensure proper maintenance of the Product strictly in accordance with Redarc's instructions or failure to ensure proper maintenance of any associated equipment or machinery;
 - 6.5 repairs to the Product that are not strictly in accordance with Redarc's instructions;
 - 6.6 installation, repairs or maintenance of the Product by, or under the supervision of, a person who is not a qualified auto electrician or technician, or if non-genuine or non-approved parts have been fitted;
 - 6.7 faulty power supply, power failure, electrical spikes or surges, lightning, flood, storm, hail, extreme heat, fire or other occurrence outside the control of Redarc;
 - 6.8 use other than for any reasonable purpose for which the Product was manufactured;
 - 6.9 any indirect or incidental damage of whatever nature outside the control of Redarc.
7. Warranty claims in respect of a Product must be made in writing to Redarc at the postal address or email address specified in clause 21 within the Warranty Period. Such claims must include the following:
 - 7.1 details of the alleged defect or fault and the circumstances surrounding the defect or fault;
 - 7.2 evidence of the claim, including photographs of the Product (where the subject of the claim is capable of being photographed);
 - 7.3 the serial number of the Product, specified on the label affixed to the Product; and
 - 7.4 proof of purchase documentation for the Product from an authorised distributor or reseller of Redarc, which clearly shows the date and place of purchase.The return of any Products without the prior written instructions of Redarc will not be accepted by Redarc.

8. Without limiting any other clause in this Warranty, Redarc has the right to reject any Warranty claim made by a Purchaser pursuant to this Warranty where:
 - 8.1 the Purchaser does not notify Redarc in writing of a Warranty claim within the Warranty Period;
 - 8.2 the Purchaser does not notify Redarc in writing of a Warranty claim within 1 month of becoming aware of the relevant circumstances giving rise to the claim, so that any further problems with the Product are minimised;
 - 8.3 the serial number of the Product has been altered, removed or made illegible without the written authority of Redarc;
 - 8.4 the Purchaser is unable to provide proof of purchase documentation in accordance with clause 7.4 or evidence that the Product was properly installed and removed (if relevant), and that proper maintenance has been performed on the Product, by, or under the supervision of, a qualified auto electrician or technician, in accordance with the instructions of Redarc.
9. If the Product is found to be working satisfactorily on return to Redarc or upon investigation by Redarc, the Purchaser must pay Redarc's reasonable costs of testing and investigating the Product in addition to shipping and transportation charges. Where Redarc is in possession of the Product, the Product will be returned to the Purchaser on receipt of the amount charged.
10. Any replaced Products or components of Products shall become the property of Redarc.
11. Redarc may, in exercise of its sole discretion, deliver another type of Product or component of a Product (different in size, colour, shape, weight, brand and/or other specifications) in fulfilling its obligations under this Warranty, in the event that Redarc has discontinued manufacturing or supplying the relevant Product or component at the time of the Warranty claim, or where such Product or component is superior to that originally purchased by the Purchaser.

Other conditions of Warranty

12. If the Purchaser acquired a Product for the purpose of resupply, then this Warranty shall not apply to that Product.
13. In particular, the sale of a Product via an online auction, online store or other internet website by a party that is not an authorised distributor or reseller of the Product will be deemed to be a resupply within the meaning of the Australian Consumer Law and will render this Warranty void, as Redarc has no control over the storage, handling, quality or safety of Products sold by such persons.
14. A Purchaser shall only be entitled to the benefit of this Warranty after all amounts owing in respect of the Product have been paid.
15. While Redarc warrants that the Products will be free from defects in materials and workmanship in the circumstances set out in this Warranty, to the maximum extent permitted by law Redarc does not warrant that the operation of the Products will be uninterrupted or error-free.
16. To the maximum extent permitted by law, Redarc's determination of the existence of any defect and the cause of any defect will be conclusive.
17. Spare parts or materials for the Products are guaranteed to be available for a period of at least 2 years after purchase of the Products.
18. The agents, officers and employees of any distributor or reseller of the Products and of Redarc are not authorised to vary or extend the terms of this Warranty.
19. Redarc shall not be responsible or liable to the Customer or any third party in connection with any non-performance or delay in performance of any terms and conditions of this Warranty, due to acts of God, war, riots, strikes, warlike conditions, plague or other epidemic, fire, flood, blizzard, hurricane, changes of public policies, terrorism and other events which are beyond the control of Redarc. In such circumstances, Redarc may suspend performance of this Warranty without liability for the period of the delay reasonably attributable to such causes.
20. If a clause or part of a clause in this Warranty can be read in a way that makes it illegal, unenforceable or invalid, but can also be read in a way that makes it legal, enforceable and valid, it must be read in the latter way. If any clause or part of a clause in this Warranty is illegal, unenforceable or invalid, that clause or part is to be treated as removed from this Warranty, but the rest of this Warranty is not affected.

Redarc's contact details

21. Redarc's contact details for the sending of Warranty claims under this Warranty are:
Redarc Electronics Pty Ltd
23 Brodie Road (North), Lonsdale SA 5160
Email: power@redarc.com.au
Telephone: +61 8 8322 4848

THE POWER OF
REDARC®

Free technical assistance!

please contact

Redarc Electronics

23 Brodie Road North, Lonsdale SA

(08) 8322 4848

power@redarc.com.au

www.redarc.com.au

Mailing Address

PO Box 469

Morphett Vale

South Australia 5162

Australian Registered Design 352577

Australian Registered Design 352578

Australian Registered Design 352674

Copyright © 2016 Redarc Electronics Pty Ltd. All rights reserved.