



# Gigglepin M8274 FREE SPOOL DRUM

## Fitting Guide

### Free Spool Drum G11001 & G11002

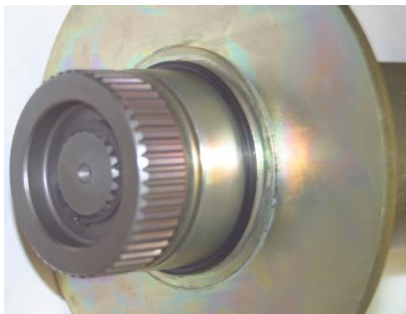


#### Kit Includes:

- G11001 or G11002 Free Spool drum unit
- Air Free Spool activation kit Incl Switch
- G10018 Silicone Seal Lube
- New Drum oil seal

#### Installation Guide:

##### Step 1:



**With your winch removed from its mount**, dismantle the winch down to its component parts & clean all parts thoroughly.

Take the lower housing, and refit the plastic drum bearing into the housing ensuring that it is correctly located. Take your new GP Drum & insert it into the housing without fitting the drum seal.

Turn the housing; if it feels tight you might need to lightly sand the internal housing bush until a smooth low resistance is achieved.

**\*Note: DO NOT OVER SAND THE BUSH\***

Once happy that the drum can turn freely, remove the drum and fit the drum quad seal supplied onto the drum. Liberally apply GP seal lube (G10018) to the drum quad seal and bearing surfaces.

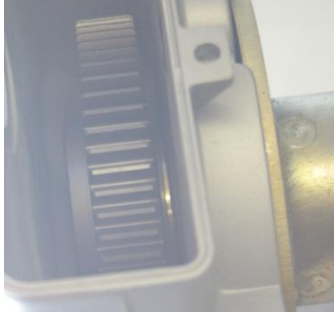
**Note:** Do not fit the plastic bush used on the Warn 8274 drum, this is built into the new Free spool drum

With the drum seal in place, insert the drum into the lower housing whilst also inserting the lower main gear. Carefully mesh the gear and drum together and ensure both can turn freely.

**Note:** As you fit the drum turn it slowly, this stops the drum seal being damaged

**Tel:** 0429 363 745 **E-mail:** wayne@smithiengineering.com.au **Web:** www.smithiengineering.com.au

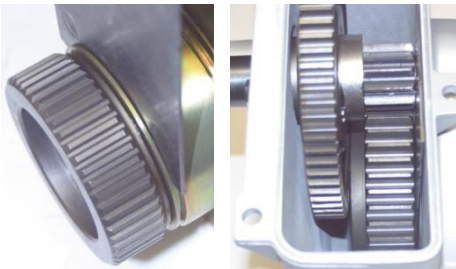
**Smithi Engineering**  
**Australian Supplier of Gigglepin Products**



Now insert the drum retention plate. Please take care that the plate locates in the correct groove as shown opposite.

**Note:** Sometimes you might find that the raised dimples on the retention plate need to be carefully flattened with a hammer to allow the gears to fit correctly. This due to the differences in the Warn lower gears. Only do this if required.

Reassemble the rest of the winch as required.



Before fitting the winch to the vehicle, please check that your winch mount/plate is straight and square. This is very important. If your mount is bent or buckled it will need replacing before the free spool will operate correctly.

Using the solenoid wiring diagram provided, Fit & Wire the solenoid kit & activation switch as required



**Note:** Additional winch build instruction sheets are available to down load from our website's technical section. \*

**\*Note: It is common that your Free Spool may seem tight at first. This is normal and will improve with use.**

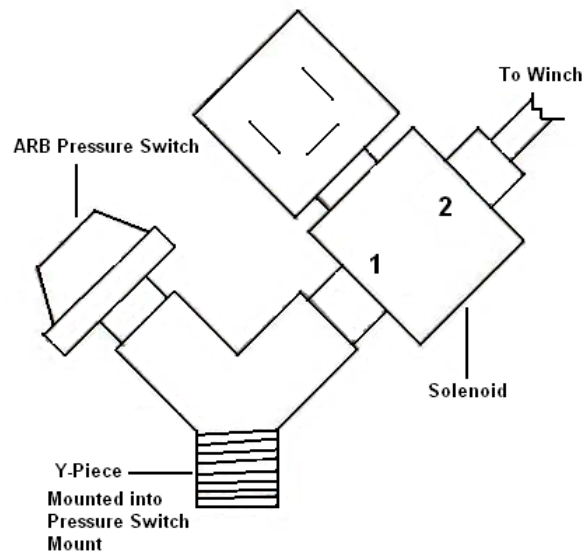
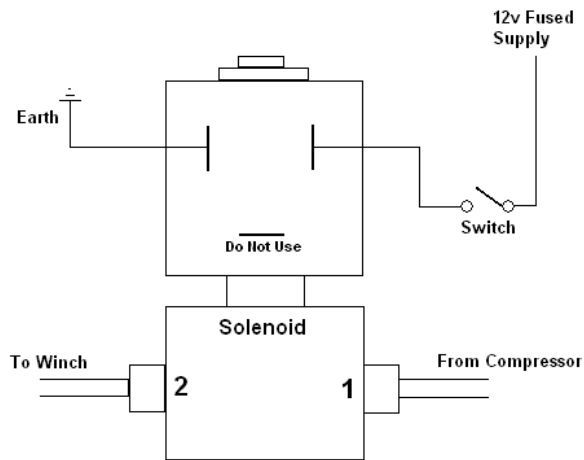
Should you experience any problems fitting this product, please contact us as we are able to help.

**Tel:** 0429 363 745 **E-mail:** wayne@smithiengineering.com.au **Web:** www.smithiengineering.com.au

**Smithi Engineering**  
**Australian Supplier of Giggiepin Products**



# Free Spool Air Solenoid Recommended Wiring Diagram



Tel: 0429 363 745 E-mail: [wayne@smithiengineering.com.au](mailto:wayne@smithiengineering.com.au) Web: [www.smithiengineering.com.au](http://www.smithiengineering.com.au)

**Smithi Engineering**  
**Australian Supplier of Giggiepin Products**