



FITTING INSTRUCTIONS FOR THE BOSS LA-80 AIR SUSPENSION ASSIST KIT

Safety First! Please make sure you have read the Safety recommendations supplied with your Kit

- 1 Check you have the right kit for the right vehicle. The vehicle make and type is printed in the top left hand corner.
- 2 When jacking the vehicle up and secure vehicle in a safe way with Jack/Axle stands under the chassis.

ASSEMBLING THE AIR BAGS

Assemble the Airbags by bolting on the top and bottom end plates to the alloy rings on the air bags with the 12 threaded bolts and spring washers supplied in the kit.

It's important to make sure you leave the 6 bolts in the bottom just loose enough to be able to twist the plate around on the bag to allow for final alignment adjustment during the fitting process. (See the red arrows on the diagram)

Important Note; leave approximately **1 - 2mm** gap between the two plates. When bolting the plates to the airbags, tighten the bolts up in a similar way to how you do wheel nuts up on a car. Do the bolts up evenly moving from one side of the plate to the other as shown on the diagram over the page. Make sure the gap is even all the way around. Do not over tighten as this can cause leaks. That's all there is to it!

FITTING BAGS TO THE VEHICLE

1. Jack the vehicle up and support on jack stands securely under the chassis to allow room to move under vehicle.
2. Remove the rubber bump stops.
3. Assemble the airbag kit as shown. Leave the Lower bag bolts loose to allow you to rotate the lower Bracket plate to align with the U bolts as necessary. (See red arrows on diagram).
4. Loosen the U bolts and remove the Leaf spring top clamping plate. (Plate that is under the U bolt but on top of the leaf spring)
5. Slide the bag assembly into place. Screw in the bag assembly into the bump stop thread tightly so it's hard against the chassis rail.
6. The lower bracket will sit under the factory U bolts on top of the leaf spring.
7. Tighten the remaining lower bag bolts.
8. Make sure there is plenty of room around airbag and not rubbing on anything.
9. Run Air line from fittings down to Axle and zip tie along to Axle to Diff Breather on left side up to chassis and run back to Schrader panel.

HELPFUL HINTS

- 1 If you have a problem with air leaking around the alloy ring area, remove the 6 bag bolts and rotate the alloy ring 90 degrees.
- 2 The alloy ring is designed to bite into the bag bellow to seal it, that's why it's important to tighten bolts as mentioned above.
- 3 **When installed, initially inflate to 80-100psi and then reduce pressure to "normal" before using** ("normal" varies depending on vehicle and load etc., and you will find what is right for you). This is important to allow the rings to "bite" into the rubber and give a good seal.

AIR LINE & FITTINGS

1. Keep air fittings free from dirt during assembly.
2. Mount the Schrader valve unit (Air valves) in a convenient assessable location.
3. **Keep the airline at least 100 mm away from the exhaust systems.**
4. Make sure the airline has a clean straight cut free of burrs on the edges and don't squash the line.
5. To fit the air hose into the fitting simply push the airline **firmly** into the air fitting. The locking claws will automatically grab the tubing and seals the tube. Now, give a short sharp tug on the line to make sure it is seated.
6. Inflate the system and check for leaks using very soapy water, you're looking for active bubbling indicating a leak.
7. If leak is found at fitting remove the airline from the fitting and rotate the airline and refit and test for leak.
8. If leak persists, check airline for damage and recut the air line with a very sharp knife ensuring a clean straight cut and repeat step 4 above
9. Do NOT use any thread tape, sealant, oil, grease, or any other substance on the airline when inserting it into the air fitting. It will cause a leak.
10. Zip Tie the airline along the axle without creating tension at the fitting, loop up to the Body, then run back to the Schrader fittings.
11. Install your door decal onto your Door Jam and your finished.

Safety First

The airbags are intended to help the vehicle maintain a level and safe stance when legally loaded. Do not exceed the factory GVM rating.

If you exceed the factory GVM or overload your vehicle you run the possibility of damaging your chassis.

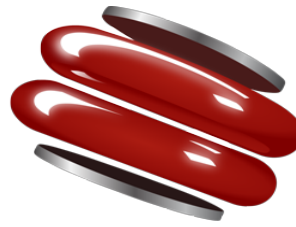
Do not inflate bags above 200psi and do not drive with bag bottomed out.

When retightening any factory fitted bolts such as U Bolts make sure you tighten them to the vehicle manufacturers torque specification. If you are uncertain about the specification contact your vehicle manufacturer or dealer for details. Note: Replace your U bolts if they appear damaged. No responsibility whatsoever is accepted for the fitment of incorrect parts. The onus is clearly with the fitter to ensure the correct parts are used and those parts are correctly fitted to the particular job. Any damage to parts or consequential damage or cost resulting from the fitment of incorrect parts or fitment are totally the responsibility of the fitter.

Now you can pump up and enjoy your ride with BOSS. Thanks again for choosing a BOSS Air system.

LA-80

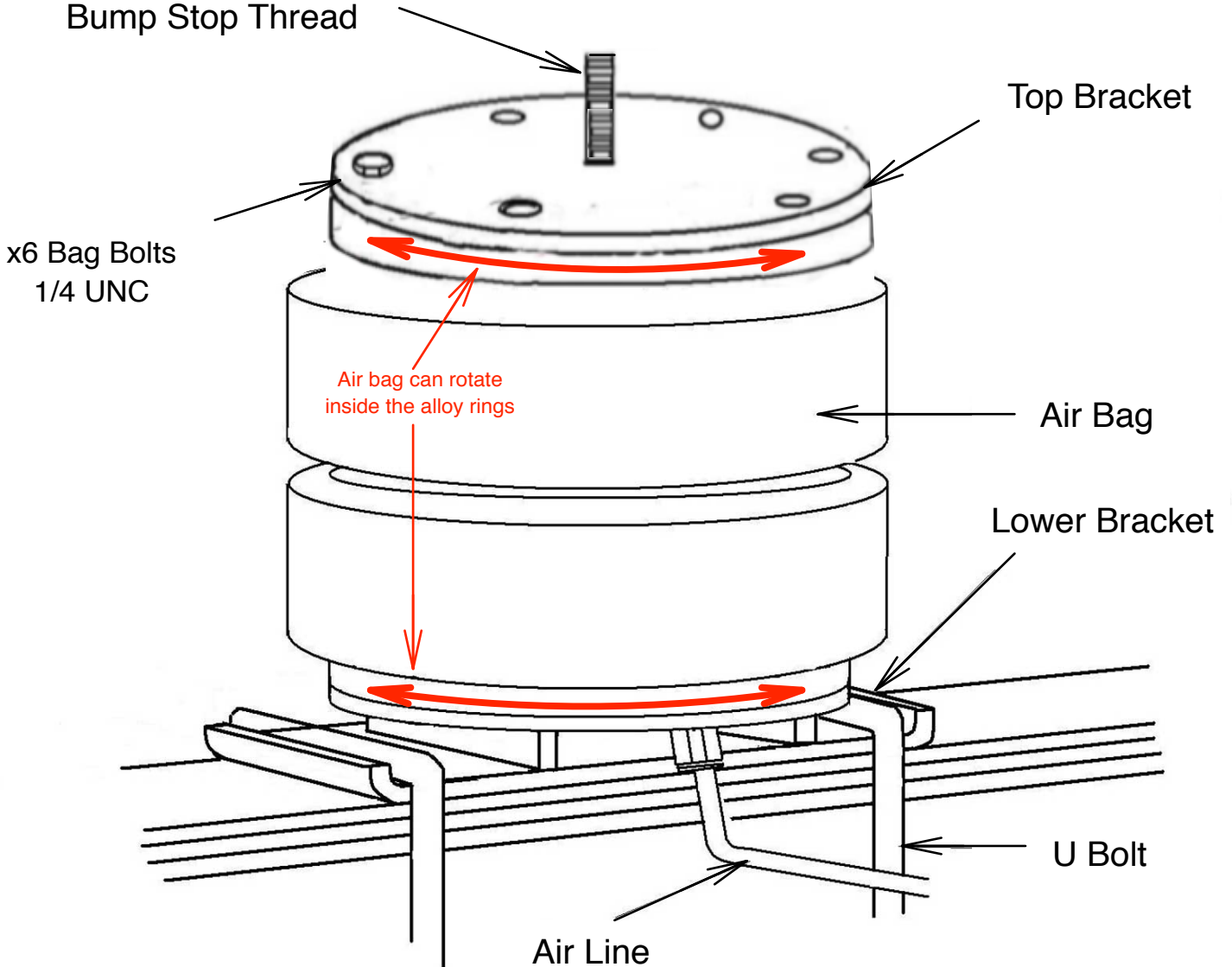
New Gen Ford Ranger
4WD 07-/2022 upwards



BOSS
AIR SUSPENSION

18 Ereton Drive
Arundel QLD 4214
Ph 1300 855 161
sales@bossairsuspension.com.au

Top Bolt Screws into
Bump Stop Thread



www.bossairsuspension.com.au for more information and details of our incab inflation kits

Next Gen Ranger With Headlight Level Sensor

Some Models have a headlight level sensor mounted on a bracket bolted onto the chassis rail. This sensor needs to be unbolted from its position on the inside of the bracket, and bolted back to the outside of the same bracket as per pics.

You will need also need to bend the tag (as per Pics) on the bracket downwards out of the way. Once repositioned, this allows enough clearance between the sensor arm and the Boss Airbag.

