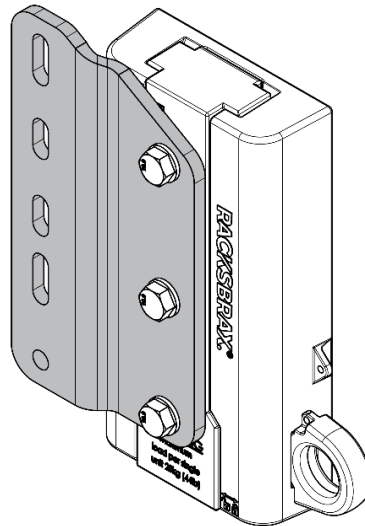


# RACKS BRAX.®



## XD MULTI-AWN ADAPTOR

(EXTENDS THE RANGE OF WING AWNINGS THAT CAN FIT TO THE  
RACKSBRAX XD HITCH)

### *Assembly and Mounting Instructions*

#### **XD Multi-Awn Adaptor (Double) (9114)**

#### **XD Multi-Awn Adaptor (Triple) (9115)**

Congratulations on purchasing the RacksBrax XD Multi-Awn Adaptor.

The product has been engineered and manufactured to the highest standards to ensure safety, quality and ease of use

to adapt the RacksBrax XD Hitch to the

**Bushwakka** range of wing awnings,

the **30 Second** wing awning,

the **SUPA PEG Outbound Shield 6**

and some **other large awnings**

(see dimensions in Figure 2).

## XD Multi-Awn Adaptor Parts List

| ITEM | PART                                           | Quantities Supplied with the XD Multi-Awn Adaptor |                                    |
|------|------------------------------------------------|---------------------------------------------------|------------------------------------|
|      |                                                | XD Multi-Awn Adaptor (Double) 9114                | XD Multi-Awn Adaptor (Triple) 9115 |
| 1    | Generic bracket (not included)                 | 0                                                 | 0                                  |
| 2    | XD Hitch Body (sold separately)                | 0                                                 | 0                                  |
| 3    | XD Hitch Pin (sold separately)                 | 0                                                 | 0                                  |
| 4    | XD Hitch Holder (sold separately)              | 0                                                 | 0                                  |
| 5    | XD Multi-Awn Adaptor                           | 2                                                 | 3                                  |
| 6    | Generic awning section                         | 0                                                 | 0                                  |
| 7    | M8 Hex Set Screw x 25 (Grade 304)*             | 6                                                 | 9                                  |
| 8    | M8 Hex Nut (nylon insert) (Grade 304)***       | 8                                                 | 12                                 |
| 9    | M8 Round Washer (17mm x 1.2mm) (Grade 304)**   | 14                                                | 21                                 |
| 10   | M8 Hex Set Screw x 20 (Grade 304)**            | 2                                                 | 3                                  |
| 11   | RB-INS-014 - XD Multi-Awn Adaptor Instructions | 1                                                 | 1                                  |
| 12   | RB-POL-004 - Warranty and Safety Warnings      | 1                                                 | 1                                  |

- \* 3 set screws per XD Multi-Awn Adaptor replace the M8 x 20mm set screws supplied with the XD Hitch to attach the awning directly to the XD Hitch Holder. Figure 1 shows 2 of these fasteners for the XD Hitch Body which are included as part of the XD Hitch pack.
- \*\* Use the 3 per XD Multi-Awn Adaptor M8 x 20mm set screws (and washers) supplied with the XD Hitch pack to attach the XD Multi-Awn Adaptor directly to the awning. 2 or 3 may be used per XD Multi-Awn Adaptor (where they fit) and an additional 1 M8 x 20mm set screw is supplied with each XD Multi-Awn Adaptor for the 4 mounting point scenarios with some awnings.
- \*\*\* Use supplied nuts and nuts supplied with the XD Hitch.

### Why an XD Multi-Awn Adaptor?

The RacksBrax XD Hitch is designed to permit the fast release or fast loading of (180°, 270° or 360°) wing style awnings with vertically spaced mounting points in the range of 100mm to 120mm. A number of awnings do not fit this requirement. The XD Hitch in combination with the **XD Multi-Awn Adaptor** enables more of these awnings to fit with mounting points as far apart as 150mm. It also facilitates some awnings with 3 or 4 mounting point centres.

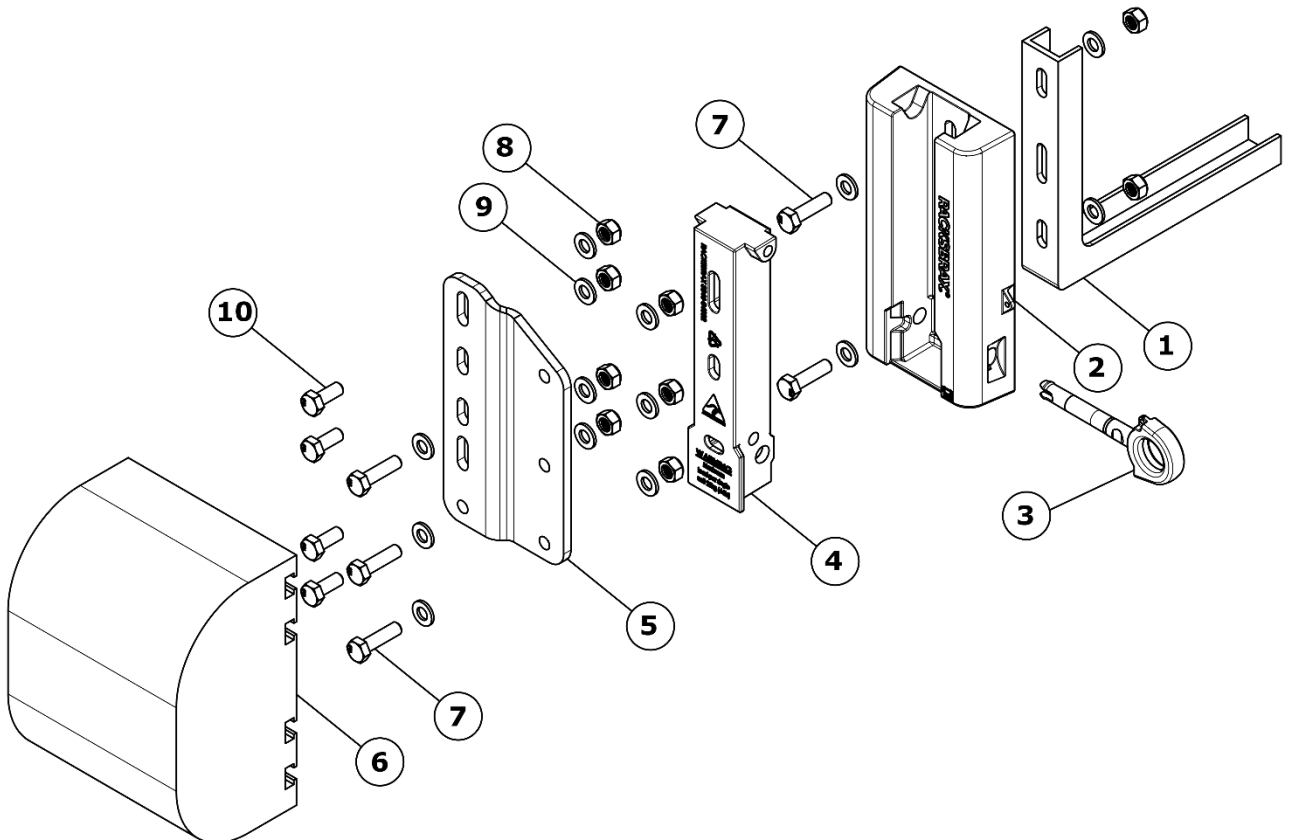
For a full range of awning mounting points which are available with the **XD Multi-Awn Adaptor** see Figure 2. This figure shows the dimensions of possible wing awning mounting points that fall outside a 100-120mm centre to centre range. This figure shows the possibilities but in any event, awnings **MUST NOT** have a mounting point spacings less than 65 mm.

**Note: These instructions must be read in conjunction with the instructions for the RacksBrax XD Hitch RB-INS-009 supplied with the RacksBrax XD Hitch.**

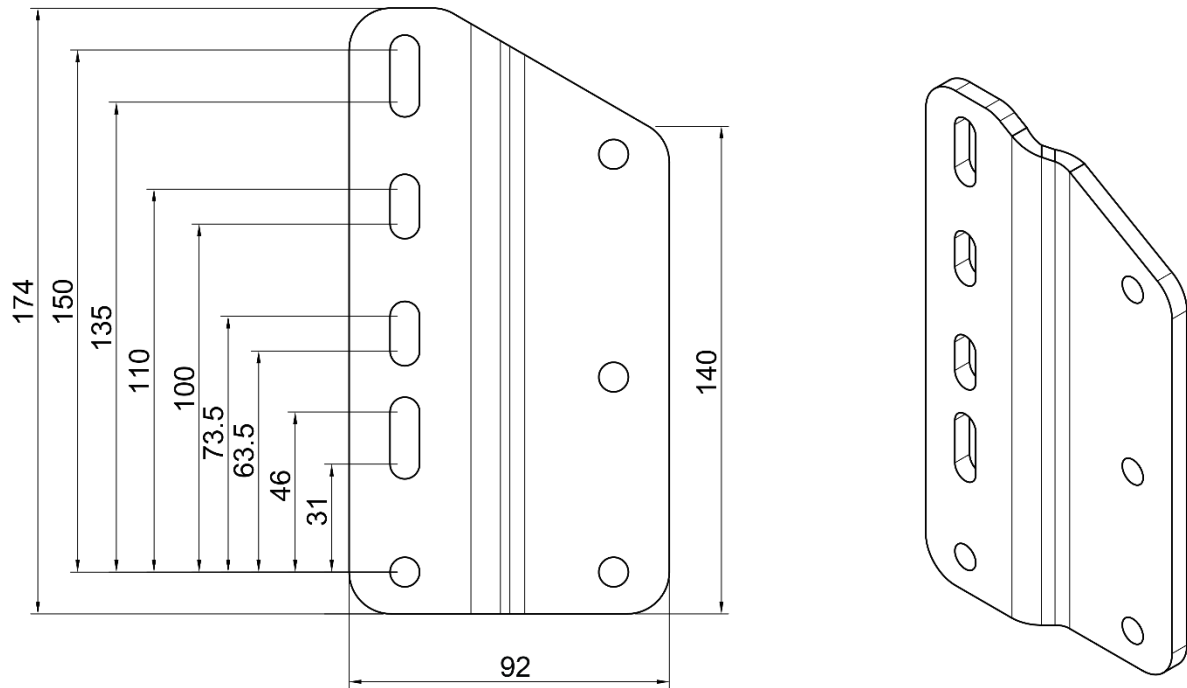
# WARNING

(Read in conjunction with RacksBrax "SAFETY WARNINGS")

- 1) Bolt torque settings: M8 = 6Nm (5 ft.lb)
- 2) Do not use nylon-insert lock nuts more than once
- 3) **DO NOT USE DRILL TO TORQUE BOLTS**
- 4) **Maximum load** per single Hitch/XD Multi-Awn Adaptor is 20kg (44lb).  
**A lesser roof rack capacity may reduce this.**
- 5) Loads must not exceed the rated load capacity of the XD Hitch/XD Multi-Awn Adaptor, the bracket, the roof rack nor the vehicle manufacturers specifications.
- 6) Awnings must be restrained in windy conditions, drained during rain and cleared during snow.



**Figure 1** XD Hitch with XD Multi-Awn Adaptor, exploded view



**Figure 2** XD Multi-Awn Adaptor Dimensions

**How many XD Hitches/XD Multi-Awn Adaptors for my awning?**

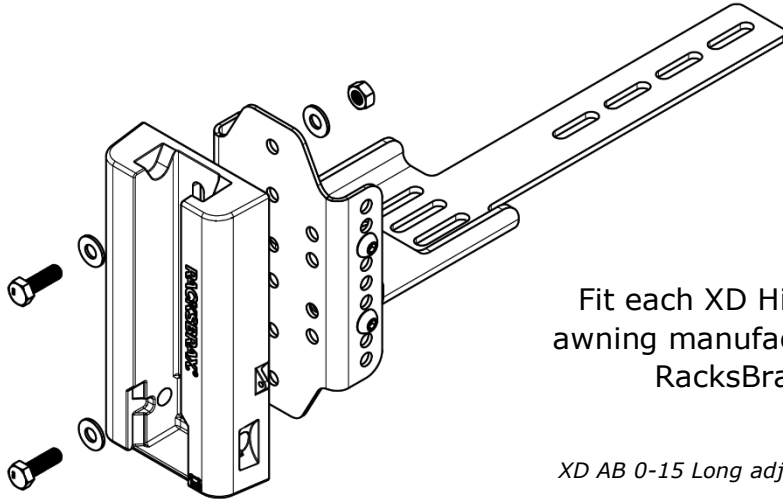
Racksbrax XD Hitches and the XD Multi-Awn Adaptors are sold as separate products, each in double or triple packs.

1. Firstly, the number of XD Hitches/XD Multi-Awn Adaptors **must not be less** than the number of brackets (support points) recommended by the awning manufacturer.
2. Secondly, for a given wing awning type, the table below outlines the minimum number of XD Hitches/XD Multi-Awn Adaptors needed, which **may** exceed quantities in 1 above. Ensure you satisfy the requirement of each column for your given awning whilst ensuring you also comply with 1 above.

| <b>WING<br/>AWNINGTYPE</b> | <b>ROOF AREA</b><br>m <sup>2</sup> (ft <sup>2</sup> ) | <b>MAXIMUM</b> awning weight<br>kg (lbs)* | <b>MINIMUM</b> # of XD Hitches/XD<br>Multi-Awn Adaptors<br>(and thus brackets) |
|----------------------------|-------------------------------------------------------|-------------------------------------------|--------------------------------------------------------------------------------|
| 180° and 270°              | ≤11.5m <sup>2</sup> (124 ft <sup>2</sup> )            | 40kg (88lb)                               | 2 (Double)                                                                     |
| 180° and 270°              | >11.5m <sup>2</sup> (124 ft <sup>2</sup> )            | 60kg (132lb)                              | 3 (Triple)                                                                     |
| 360°                       | >11.5m <sup>2</sup> (124 ft <sup>2</sup> )            | 80kg (176lb)                              | 4 (2 x Double)                                                                 |

\* **Loads must not exceed the rated load capacity of the XD Hitch/ XD Multi-Awn Adaptor, the bracket, the roof rack nor the vehicle manufacturers specifications.**

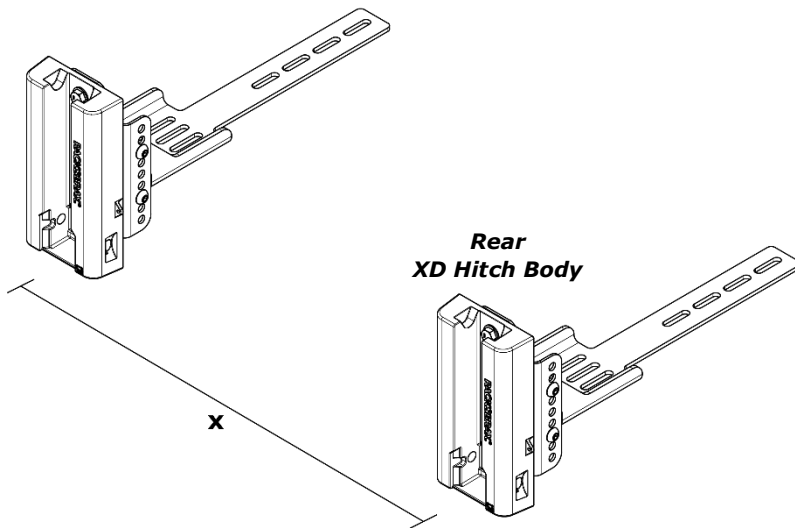
# RACKSBRAX.



# 1

Fit each XD Hitch Body to the bracket. Use awning manufacturers' brackets or purchase RacksBrax height adjustable brackets separately.

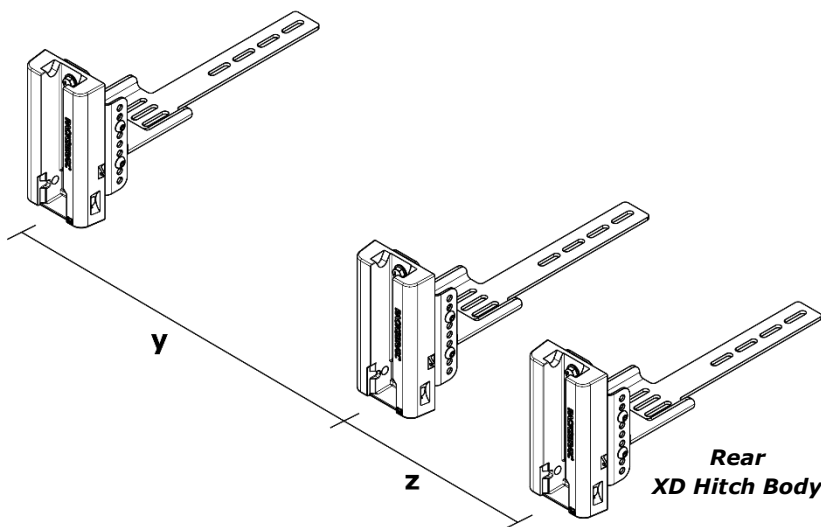
*XD AB 0-15 Long adjustable bracket shown, sold separately.*



# 2

Park the vehicle on level ground. Locate rear Hitch vertically and as close to wing awning hinge as possible.

*XD Hitch (Double) model shown above.*

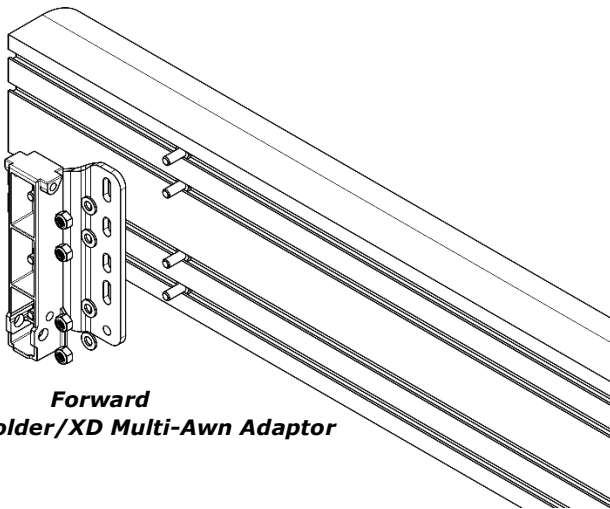


# 3

Park the vehicle on level ground. Locate the rear 2 Hitches vertically and as close to wing awning hinge as possible.

*XD Hitch (Triple) model shown above.*

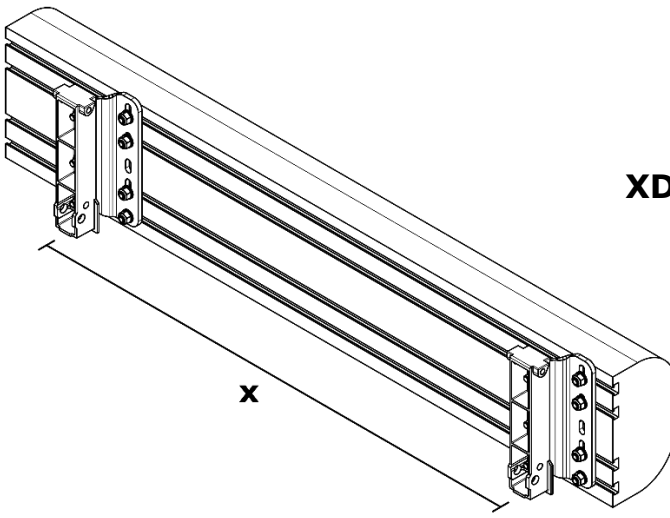
# 4



Fit each XD Multi-Awn Adaptor to the XD Hitch Holder (3 bolt holes) then fit the XD Multi-Awn Adaptor to wing awning mounting points.

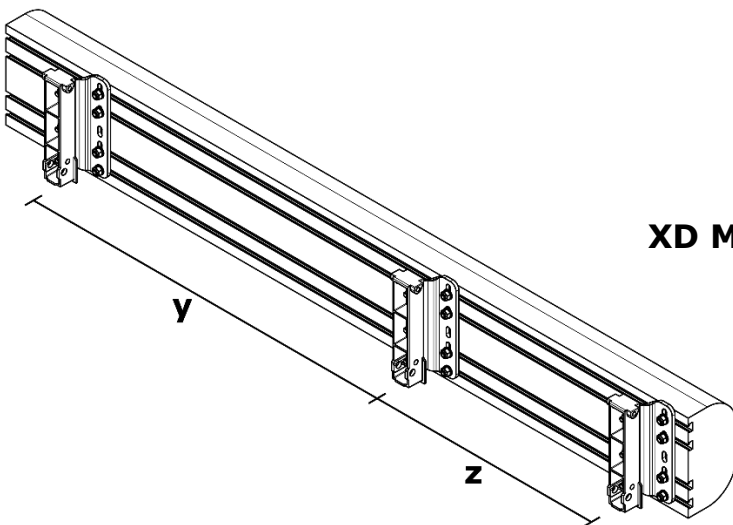
Holders should be spaced to exactly match XD Hitch Body centres, x or y and z.

# 5



**XD Hitch (Double) with  
XD Multi-Awn Adaptor (Double)**  
Holder locations.

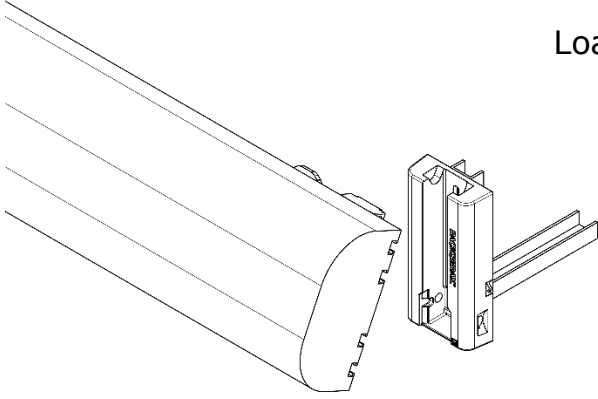
# 6



**XD Hitch (Triple) with  
XD Multi-Awn Adaptor (Triple)**  
Holder locations.

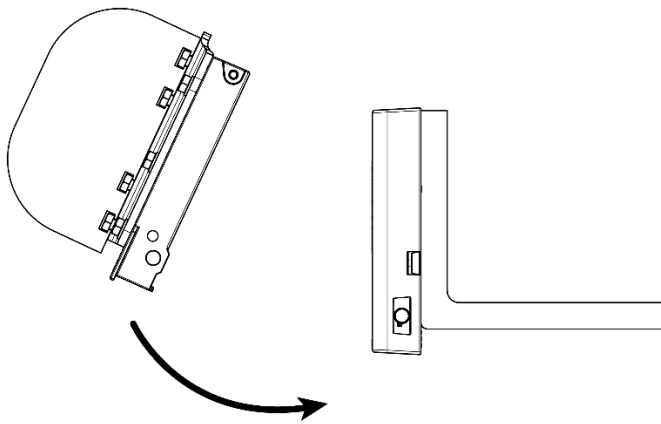
**7**

Load wing awning onto XD Hitch Bodies.



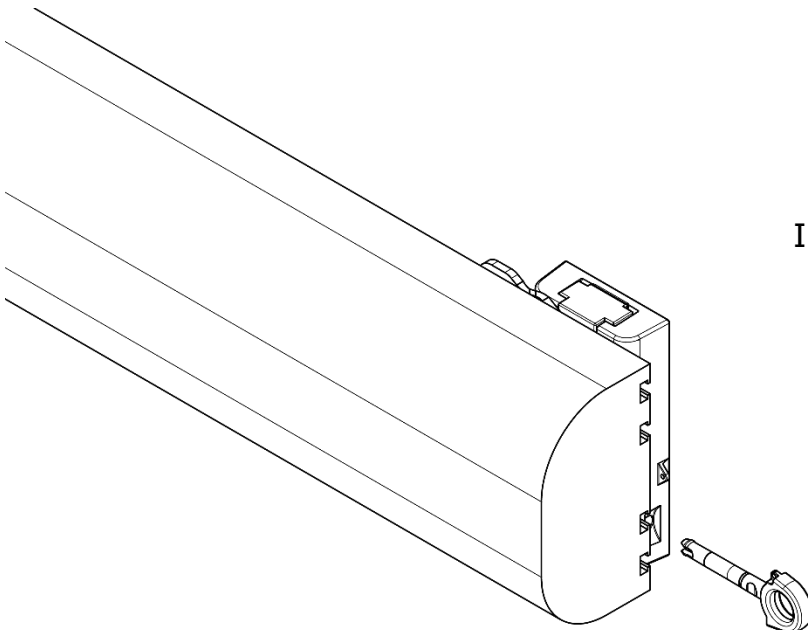
**8**

Rotate the wing awning into the XD Hitch Bodies.



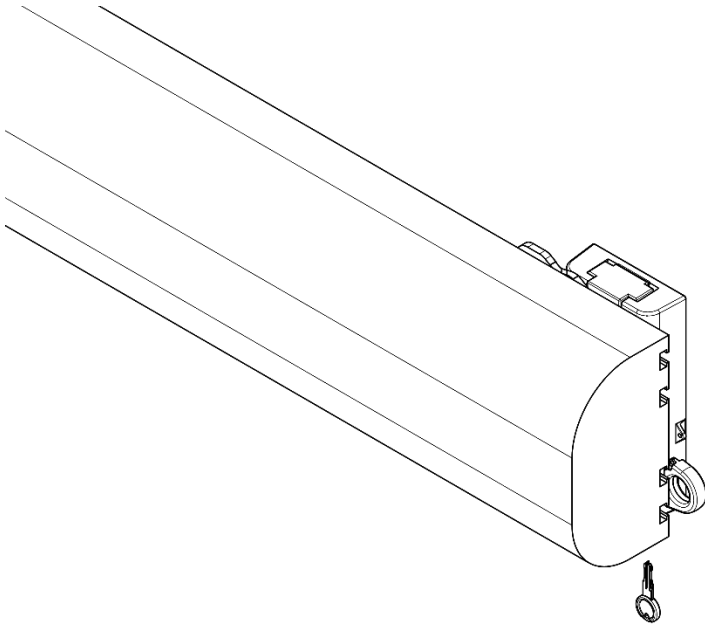
**9**

Insert XD Hitch Pins into each XD Hitch Body.



# 10

Lock wing awning at each XD Hitch.



## **Wing Awnings: Wind, Rain and Snow**

The XD Hitch/XD Multi-Awn Adaptor mounting system is designed with a high load capacity relative to the weight of even the heaviest awnings. However, in the deployed state, loads from high winds, pooled rainwater, and accumulated snow can exceed the XD Hitch/XD Multi-Awn Adaptor load capacity.

Always follow the awning manufacturer's recommendation with respect to awning use under conditions of wind, rain and snow. In addition, it is recommended that in windy conditions poles and guy ropes are always installed, and that during rain and snow events, that steps are taken to prevent excessive loading on the awning. For example, do not leave un-guyed awnings unattended if weather conditions may deteriorate.

Due to the high number of variables associated with wind direction, awning size and arrangement, local terrain, and other factors, it is not possible to provide meaningful wind speed recommendations.

### **The 3 enemies of "freestanding" wing awnings are: wind, rain and snow.**

**WIND:** The wind loads on the awning mounting system relate to wind direction, wind strength, local terrain and awning area. In gusty conditions in particular, the loads on the awning are unpredictable, and may vary from upwards to downwards in a short space of time. It is recommended that in all but calm conditions, regardless of the awning manufacturer's instructions, that awnings should be restrained with poles and guy ropes to prevent damage to the mounting system.

**RAIN:** Most wing awnings come with a means to deflect runoff water from rain to avoid stretching the awning material (and causing other damage) when water collects in pools. Typically, this is accomplished with guy ropes set midway between the rafters and with poles at the rafters. To prevent potential overloading of the mounting system during heavy rain, drainage measures are recommended.

**SNOW:** The awning mounting system may be overloaded under snow loads. In snow conditions where heavy snow loads may develop, snow needs to be periodically cleared or the awning needs to be stowed.

**Failure to adhere to any of these recommendations may void the RacksBrax Warranty.**